

NAVSHIPS 93883

**TECHNICAL MANUAL
FOR
ELECTRON TUBE TEST SET
AN/USM-118A
AND
AN/USM-118B**

THE HICKOK ELECTRICAL INSTRUMENT CO.

CONTRACT NOBSR 85003

AND NOBSR 89502

APPROVED BY BUSHIPS

3 APRIL 1961

CHANGE 1, 26 MAY 1964

2490-484

TEMPORARY CHANGE T-1 TO TECHNICAL MANUAL FOR ELECTRON TUBE TEST SET

AN/USM-118A

NAVSHIPS 93883

This temporary change revises the Technical Manual to reflect equipment changes made in production on Test Sets with serial number letter prefixes of "D" and above. This production change replaces the diodes in the Gm bridge circuit with higher P. I. V. rated diodes and includes the addition of a resistor and diode in the card operated switch to improve the reliability of the Gm bridge and the cardmatic switch.

Make the following pen and ink corrections. Insert this temporary change in the Technical Manual immediately after the front cover.

Add the following on page 1:

"1.06 The following is a list of units that make up the AN/USM-118A Electron Tube Test Set.

- Test Set, Electron Tube TS-1479/USM-118A
- *Card Kit, Tube Test Programming MK-704/USM-118A
- Calibration Cell, Meter Circuit MX-4712/USM-118A

*Supplied only when specified in contract or order.

The Parts List (Table 7-1) has been corrected by SUPPLEMENTARY TABLE 7-1A, which has been inserted in the manual immediately preceding the Parts List.

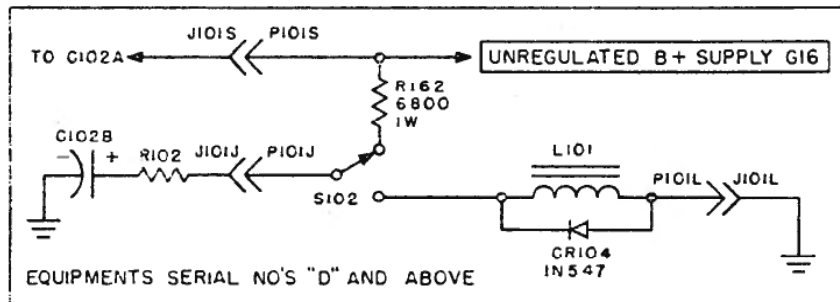
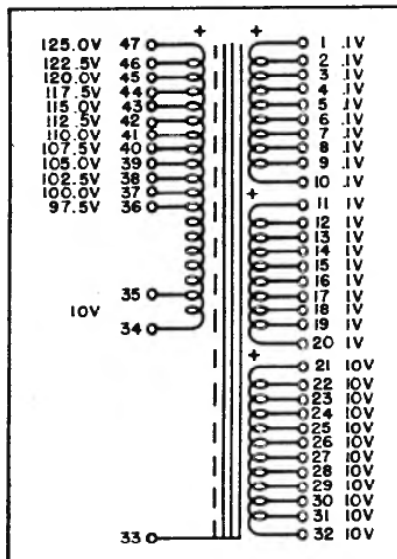
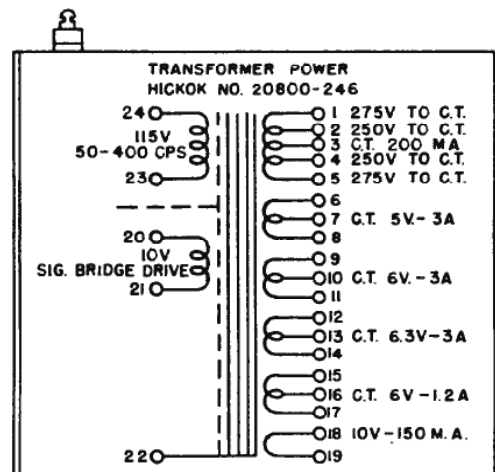


Figure 1. Partial of Wiring Diagram Showing Changes on Wiring Diagram (Sheet 1 of 4)



Filament Transformer



Power Transformer

19120-94

Figure 2. Transformer Diagram

NAVSHIPS 93883

**Approved by BuShips:
3 April 1961**

THE HICKOK ELECTRICAL INSTRUMENT COMPANY
10514 Dupont Avenue - Cleveland 8, Ohio

STANDARD EIA GUARANTEE

The Hickok Electrical Instrument Company warrants instruments manufactured by it to be free from defective material or factory workmanship and agrees to repair such instruments which, under normal use and service, disclose the defect to be the fault of our manufacturing. Our obligation under this warranty is limited to repairing any instrument or test equipment which proves to be defective, when returned to us transportation prepaid, within 90 days from the date of original purchase, and provided the serial number has been made known to us promptly for our records.

This warranty does not apply to any of our products which have been repaired or altered by unauthorized persons or service stations in any way so as, in our judgment, to injure their stability or reliability, or which have been subject to misuse, negligence, or accident, or which have had the serial number altered, effaced or removed. Neither does this warranty apply to any of our products which have been connected, installed, or adjusted otherwise than in accordance with the instructions furnished by us. Accessories, including all vacuum tubes not of our manufacture, used with this product are not covered by this warranty.

This warranty is in lieu of all other warranties expressed or implied, and no representative or person is authorized to assume for us any other liability in connection with the sale of our products.

Parts will be made available for a minimum period of five years after the manufacture of this equipment has been discontinued. Parts include all materials, charts, instructions, diagrams, accessories, etc., which have been furnished in the standard model.

RETURNING EQUIPMENT FOR REPAIR

Before returning any equipment for service, under warranty or otherwise, the factory must first be contacted giving the nature of the trouble. Instructions will then be given for either correcting the trouble or returning the equipment. Upon authorization, this equipment should be forwarded directly to the Hickok factory address, 10636 Leuer Avenue, Cleveland, Ohio, or to a designated service station in your locality. All correspondence pertaining to repairs should be directed to the Hickok office address, 10514 Dupont Avenue, Cleveland 8, Ohio, or to the authorized service station designated.

REGISTRATION CARD

The above guarantee is contingent upon the attached registration card being returned to the factory immediately upon receipt of the equipment.

THE HICKOK ELECTRICAL INSTRUMENT COMPANY
Cleveland, Ohio

RECORD OF CORRECTIONS MADE

CHANGE NO.	DATE	FIELD CHANGE NO.	SIGNATURE

TABLE OF CONTENTS

Paragraph	Page	Paragraph	Page
1. GENERAL	1	5. CIRCUIT	
2. DESCRIPTION		A. Circuit Theory	12
A. General	2	B. Circuit Description.	20A
B. Description of Front Panel	2	C. Circuit Description.	21
C. Auxiliary Compartment	4	6. MAINTENANCE	
D. Program Cards	4A	A. General	24
3. CALIBRATION	6	B. Complete Calibration	24
4. OPERATION		C. Trouble Shooting Procedure.	26
A. Normal	9	D. Miscellaneous Adjustment Pro- cedures	32A
B. Auxiliary Tests	10	D. Miscellaneous Adjustment Pro- cedures	33
C. Hand Punch Card System.	11	E. Miscellaneous Parts Replacement.	36
		7. PARTS LIST (AN/USM-118B)	7-0
		7. PARTS LIST (AN/USM-118A) (Back of Manual).	1

LIST OF ILLUSTRATIONS

Figure	Page	Figure	Page
1 Model AN/USM-118 Tube Tester	vi	20A Voltage and Resistance Data - AN/USM-118B	38
2 Identification of Controls and Components-AN/USM-118A	3	20B List of Calibration & Test Cards Furnished.	38A
2A Identification of Controls and Components-AN/USM-118B	3	20C Location of Tubes, Controls and Filter Condensers	38B
3 Auxiliary Compartment	4	20D Assembly Identification and Miscellaneous Parts	38B
4 Meter Sensitivity	7	20E Power Supply Component Location	38C
5 Punching New or Replacement Tube Test Code Cards	11	20F Power Supply Component Board	38C
5A Curve for Correcting Full-Wave and Half-Wave Rectifier Output Current Tests to Nominal (115 Volts) Line Value	12A	20G Main Function Switch	38D
5B Gm Correction Factor Chart	12B	20H Card Switch Component Mounting Board 20I Auxiliary Function Switch - Outside View	38D
6 Test Circuits for Amplifying Tubes	14	20J Auxiliary Function Switch - Inside View	38E
7 Special test circuits	15	20K Short Test Assembly	38E
8 Basic Types of Diode Test Circuits	16	20L Transformer Diagrams	38F
9 Voltage Regulator Test Circuits	17	21 List of Calibration & Test Cards Furnished	39
10 Shorts and Cathode-to-Filament Leakage Test Circuit	18	22 Placement of Tubes, Controls and Filter Condenser	40
11 Shorts and Cathode-to-Filament Leakage Test Circuit (Multi-Section Tube)	18	23 Assembly Identification and Miscel- laneous Parts	41
12 Interelement Shorts Identification.	20	24 Power Supply Component Location	42
13 Signal Regulation and Amplitude Check 24	24	25 Power Supply Component Board	43
14 B+ Power Supply Feed Back Current Test	26	26 Cardswitch Component Mounting Board	44
15 Checking Main B+ Power Supply With the Aid of an External Meter	28	27 Auxiliary Function Switch - Inside View	45
15A Protection Circuit	32B	28 Auxiliary Function Switch - Outside View	46
16 Slave Relay Protective Circuit.	34	29 Main Function Switch	47
17 Adjustment of Upper Micro Switch	35	30 Short Test Assembly	48
18 Replacement of Upper Micro Switch	37	1 of 4 Schematic Wiring Diagram AN/USM-118B Back of Manual	
19 Replacing Card Switch Solenoid	37	2 of 4 Schematic Wiring Diagram AN/USM-118B Back of Manual	
20 Voltage and Resistance Data - AN/USM-118A	38	3 of 4 Schematic Wiring Diagram AN/USM-118B Back of Manual	

LIST OF ILLUSTRATIONS (Cont)

Figure	Page	Figure	Page
4 of 4 Schematic Wiring Diagram AN/USM-118B Back of Manual		3 of 4 Schematic Wiring Diagram AN/USM-118A Back of Manual	
1 of 4 Schematic Wiring Diagram AN/USM-118A Back of Manual		4 of 4 Schematic Wiring Diagram AN/USM-118A Back of Manual	
2 of 4 Schematic Wiring Diagram AN/USM-118A Back of Manual			

Figure
1

AN/USM-118A-B
GENERAL

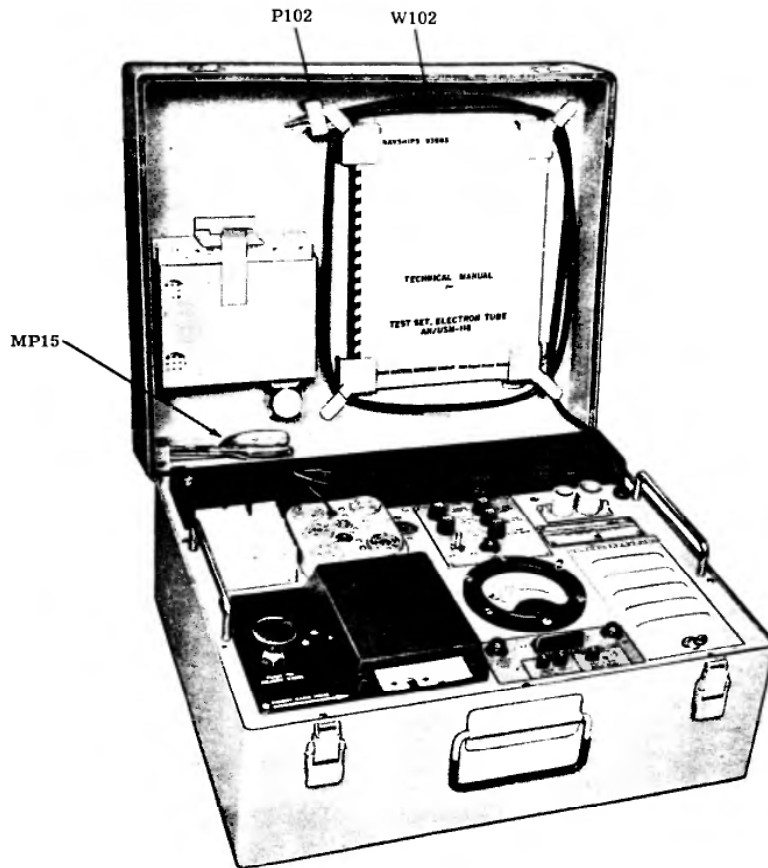


Figure 1. AN/USM-118 Electron Tube Test Set

TABLE OF CONTENTS

	<u>Page</u>
1. GENERAL	1
2. DESCRIPTION	
A. General	2
B. Description of Front Panel	2
C. Auxiliary Compartment	4
D. Program Cards	5
3. CALIBRATION	6
4. OPERATION	
A. Normal	9
B. Auxiliary Tests	10
C. Hand Punch Card System	11
5. CIRCUIT	
A. Circuit Theory	12
B. Circuit Description	21
6. MAINTENANCE	
A. General	24
B. Complete Calibration	24
C. Trouble Shooting Procedure	26
D. Miscellaneous Adjustment Procedures	33
E. Miscellaneous Parts Replacement	36

LIST OF ILLUSTRATIONS

SECTION 1 -- GENERAL

<u>Figure</u>		<u>Page</u>
1	Model AN/USM-118A Tube Tester	Frontspiece
 SECTION 2 -- DESCRIPTION		
2	Identification of Controls and Components	3
3	Auxiliary Compartment	4
 SECTION 3 -- CALIBRATION		
4	Meter Sensitivity	7
 SECTION 4 -- OPERATION		
5	Punching New or Replacement Tube Test Code Cards	11
 SECTION 5 -- CIRCUIT		
6	Test Circuits for Amplifying Tubes	14
7	Special Test Circuits	15
8	Basic Types of Diode Test Circuits	16
9	Voltage Regulator Test Circuits	17
10	Shorts and Cathode-to-Filament Leakage Test Circuit	18
11	Shorts and Cathode-to-Filament Leakage Test Circuit (Multi-Section Tube)	18
12	Interelement Shorts Identification	20
 SECTION 6 -- MAINTENANCE		
13	Signal Regulation and Amplitude Check	24
14	B+ Power Supply Feed Back Current Test	26
15	Checking Main B+ Power Supply With the Aid of an External Meter	28
16	Slave Relay Protective Circuit	34
17	Adjustment of Upper Micro Switch	35
18	Replacement of Upper Micro Switch	37
19	Replacing Card Switch Solenoid	37
20	Power Supply AN/USM-118A	38
21	List of Calibration & Test Cards Furnished	39
22	Placement of Tubes, Controls and Filter Condenser	40
23	Assembly Identification and Miscellaneous Parts	41
24	Power Supply Component Location	42
25	Power Supply Component Board	43
26	Card Switch Component Mounting Board	44
27	Auxiliary Function Switch - Inside View	45
28	Auxiliary Function Switch - Outside View	46
29	Main Function Switch	47
30	Short Test Assembly	48
	Schematic Wiring Diagram - Sheet 1 of 4	
	Schematic Wiring Diagram - Sheet 2 of 4	
	Schematic Wiring Diagram - Sheet 3 of 4	
	Schematic Wiring Diagram - Sheet 4 of 4	

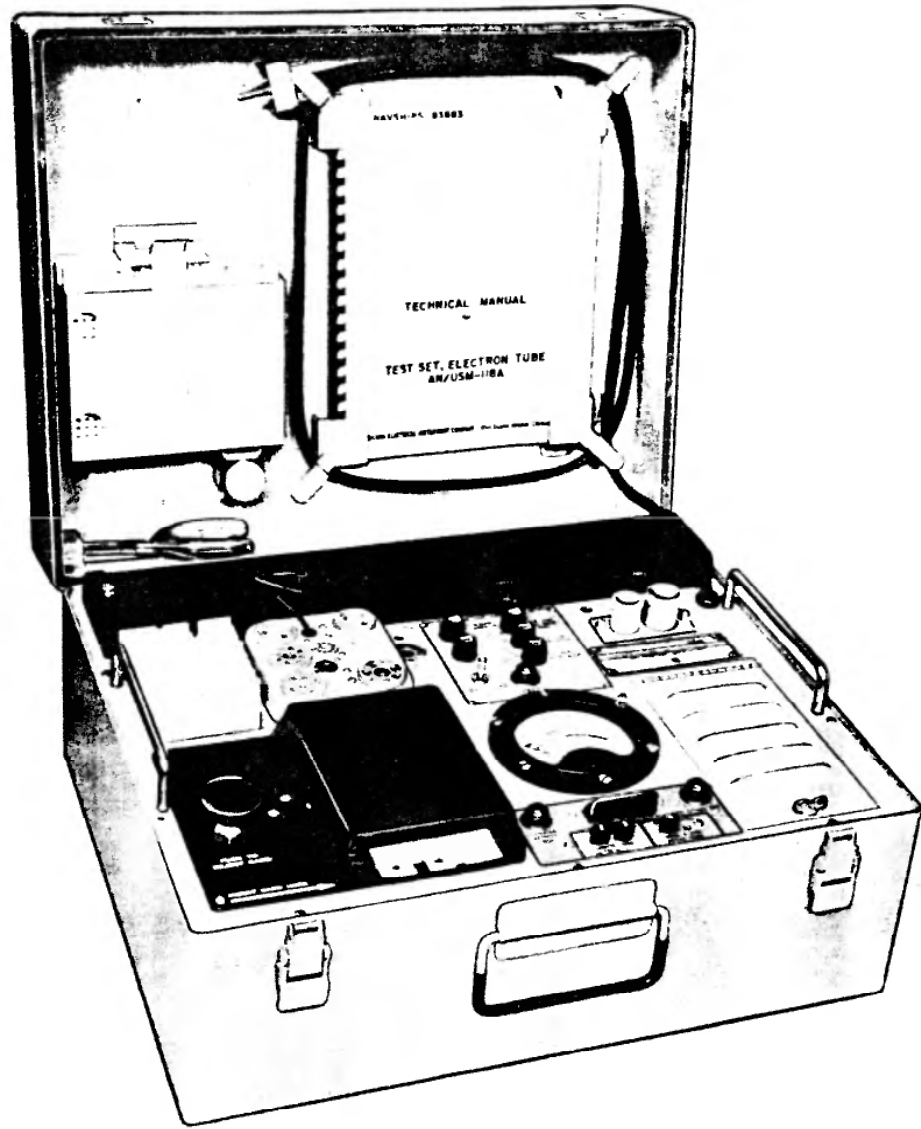


Figure 1. Model AN/USM-118A Tube Tester

AN/USM - 118A-B
CARDMATIC TUBE TESTER

1. GENERAL

1.01 This instruction manual describes the AN/USM-118 Cardmatic Tube Tester and the methods for operating and maintaining the set.

1.02 The AN/USM-118 provides the necessary test sockets, circuitry, and test potentials necessary to test electron-tubes of the receiving and low power transmitting type.

1.03 The tube test conditions selected for the tube under test are as close as possible to the actual operating conditions encountered by the tube in its circuit application.

1.04 The tube test conditions are programmed on a punched code card system. A Cardmatic multiple switch automatically programs the tube test conditions when it is actuated with a code card.

1.05 The AN/USM-118 is manufactured by The Hickok Electrical Instrument Company, 10514 Dupont Avenue, Cleveland 8, Ohio.

1.06 The following is a list of units that make up the AN/USM-118 Electron Tube Test Set:

- Test Set, Electron Tube TS-1479/USM-118
- * Card Kit, Tube Test Programming MK-704/USM-118
- Calibration Cell, Meter Circuit MX-4712/USM-118

* Supplied only when specified in contract or order.

2. DESCRIPTION

A. General

2.01 The AN/USM-118 Electron Tube Test Set is self contained in a portable aluminum carrying case with removable cover. The outside dimensions of the case are approximately 19-1/2 inches wide by 9-1/2 inches high by 16-1/2 inches deep. The weight is about 50 pounds.

2.02 A card compartment is located in the front panel of the tester which can be used for storing the most frequently used program cards.

2.03 The cover of the tester case contains brief operating instructions, brackets for storing an instruction book, the power cord, a calibration cell for checking the meter and short test, calibration cards, 50 hand punch cards and a hand punch.

B. Description of Front Panel

2.04 The front panel is shown in Figure 2. The largest feature is the card switch which has a receptacle for receiving the program cards. When a pre-punched card is fully inserted into the switch it actuates a micro-switch which in turn actuates a solenoid to move the card switch contacts to complete the circuit. When the card switch actuates, the large knob at the left of it pops up. This PUSH TO REJECT CARD knob must be pressed to open the switch contacts and release the card. The card switch actuates only when a card is in the proper position and operates on the principle that absence of a hole in the card makes a contact.

2.05 The meter contains four scales. The upper scale is graduated from 0 to 100 for direct numerical readings. The three lower scales numbered 1, 2 and 3 are read for LEAKAGE, QUALITY and GAS respectively. Each numbered scale contains green and red areas marked GOOD and REPLACE.

2.06 Inside the small hood, directly in front of the meter, are five neon lamps which indicate shorts between tube elements.

2.07 A push button, marked 2, is used for transconductance, emission, and other quality tests which are described later. In general when this button is pressed, results are read on scale 2 of the meter.

2.08 Another button, marked 3, is used for making grid current measurements which result when gas is present in the tube vacuum. Results of this test are read on scale 3 of the meter. This button is interlocked with button 2.

2.09 A button marked 4 is used for tests of dual tubes in which both halves are alike. A neon lamp lights when button 4 is to be used.

2.10 Eleven sockets which will take all common tubes plus pin straighteners for the 7 and 9 pin miniature tubes are on the panel.

2.11 There is an ON-OFF spring-return toggle switch which turns the unit on by energizing a line slave relay, KI01. A PILOT light appears next to this switch.

2.12 In the area above the ON-OFF switch there are five fuses. Three of these fuses are paired with neon lamps to indicate when they have blown. These three fuses protect portions of the circuit which are not protected by other means. The remaining two fuses protect both sides of the main power line.

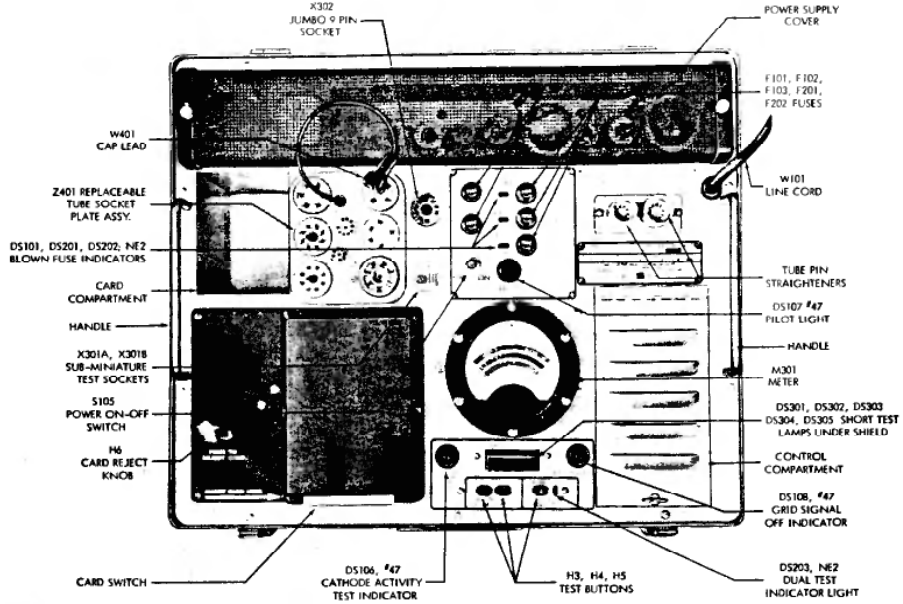


Figure 2. Identification of Controls and Components - AN/USM-118A

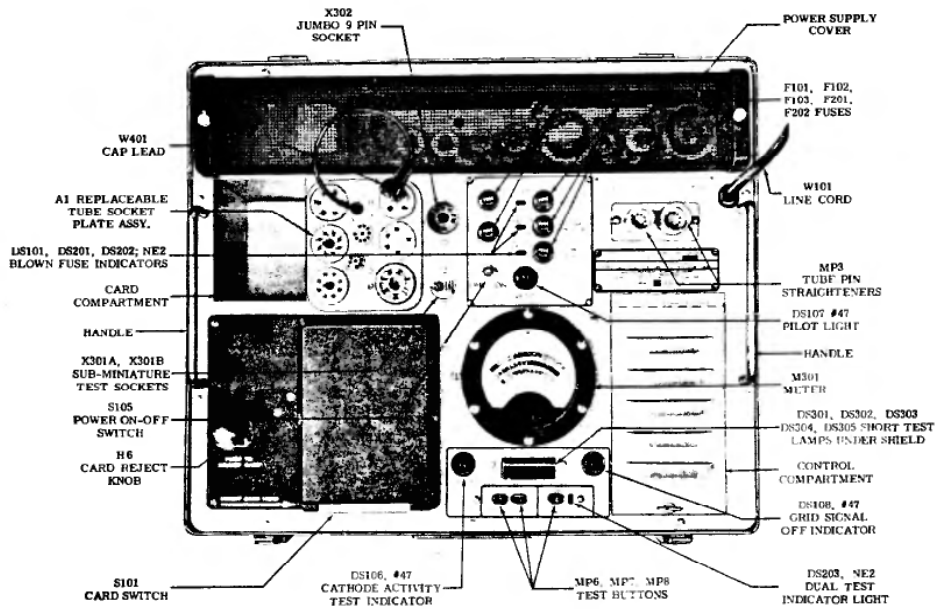


Figure 2A. Identification of Controls and Components - AN/USM-118B

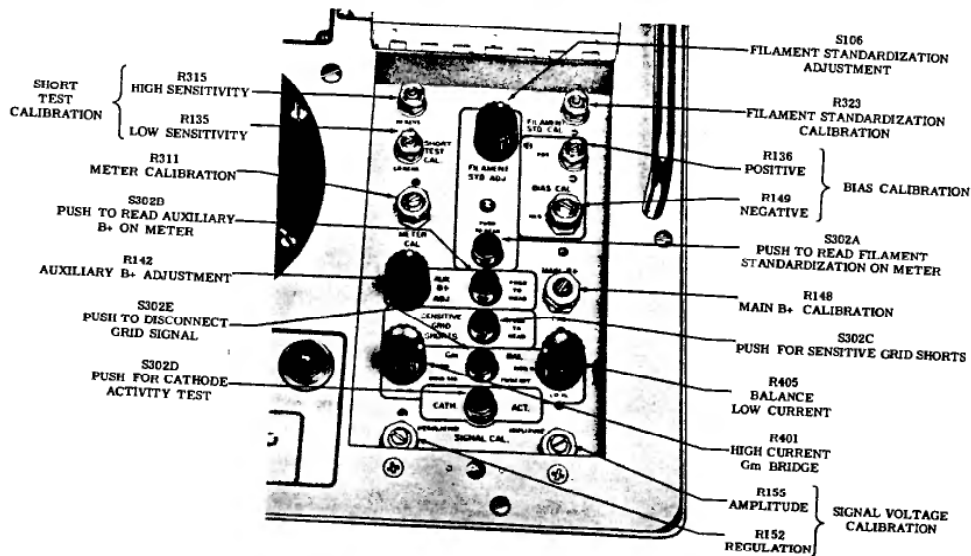


Figure 3 - Auxiliary Compartment

C. Auxiliary Compartment

2.13 A hinged panel covers a group of auxiliary controls which are used for special tests and for calibration of the set.

2.14 Two of these controls marked SIGNAL CAL. are used with special test cards for adjusting the REGULATION and AMPLITUDE of the signal voltage.

2.15 A push button marked CATH ACT is used for making cathode activity tests. When this button is pressed the filament voltage is reduced 10 percent. Results of the test are read as a change in reading on the numerical meter scale. As a warning to the operator, when the CATH ACT button is pressed, a lamp on the main panel is lighted.

2.16 A push button and two potentiometers are used for balancing the Gm bridge circuit under actual tube operating current for any Gm test. When the button is pressed it removes the grid signal and allows a zero balance to be made with one potentiometer or the other depending on whether the tube under test is passing HI or LO plate current. A lamp on the main panel is lighted when this adjustment is being made.

2.17 A button labeled SENSITIVE GRID SHORTS is used for checking grid to cathode shorts at a sensitivity much higher than the normal tests. The results of this test are observed on the short test lamps.

2.18 Certain special tests require the use of a continuously adjustable auxiliary power supply. By pressing the PUSH TO READ button the meter is used to monitor the voltage of the auxiliary power supply. This voltage may be adjusted by the use of the potentiometer labelled AUX B+ ADJ.

2. 19 The rest of the potentiometer controls, marked MAIN B+ CAL, BIAS CAL NEG, BIAS CAL POS, FILAMENT STD CAL, METER CAL, SHORT TEST CAL, HI SENS, SHORT TEST CAL LO SENS, are calibration controls and are adjusted by the use of special calibration cards and a calibration cell, as covered in the section on routine calibration and also the maintenance section of this book.

2. 20 The line voltage to the tester may vary over a wide range. To correct for this, a button is pressed and the FILAMENT STD ADJ switch is rotated until the meter reads midscale.

D. Program Cards

2. 21 The circuitry in the tester which is to be utilized is selected by a pre-punched card. These cards are made of mylar.

2. 22 The card switch in the tester has 186 single pole single throw switches. These are arranged in 17 rows with 11 switches in each row. The program card is used to push the switches closed and therefore the absence of a hole in the card is required to actuate a switch.

2. 23 The tube numbers are printed on the tabs of the cards. For convenience in the filing system the tube number is also printed at the edge of the card.

2. 24 The cards are arranged in alpha-numerical order in the test compartment. A special card is provided to be used as a marker when a card is removed for use.

2. 25 A pack of 53 calibration cards is supplied for use in trouble shooting and complete calibration of this equipment.

2. 26 A pack of printed blank cards and a hand punch are provided so that additional tube test cards may be punched as new tubes are developed. Torn, broken or unserviceable cards may be replaced or duplicated with the hand punch and blank cards.

3. CALIBRATION

3.01 General. The tester is equipped with self-calibrating features which include calibration controls located in the auxiliary control compartment and corresponding calibration code cards. The calibration procedures are divided into two parts, Routine Calibration, listed below, and Complete Calibration, listed in the Maintenance Section.

3.02 Routine Calibration is quickly performed using the proper calibration cards and does not require external test equipment. It should be performed upon initial installation, and weekly thereafter.

3.03 Complete Calibration is also performed with the use of special calibration cards, however, additional test equipment is required for some of the checks.

3.04 The complete calibration may be performed at the time of installation, (in addition to Routine Calibration noted above), and should be checked monthly and whenever trouble is suspected or maintenance work has been performed.

3.05 Routine Calibration Procedure.

- a. Turn tester on and allow it to warm up for 25 minutes. Check that the meter is reading zero. If necessary, re-adjust the mechanical zero adjust so that the needle knife-edge rests over the zero line.
- b. Select the Routine Calibration Cards, #1 through #10, from the tester case cover.

3.06 Meter Check.

- a. Insert calibration card #1, METER, into the switch. Plug the calibration cell into the octal test socket, see figure 4. (The calibration cell is normally stored in the cover of the tube tester.) The left short lamp will glow.
- b. Press button #2 for check of meter microamp cal. The meter should read within ± 1 division of the figure written in the top blank on the calibration cell cover. If the reading is out of tolerance the meter should be checked against a meter standard for 50 μ amp indication at mid-scale. If the error is significant, the meter should be repaired or replaced.
- c. Hold down button #2 and press button #4 to check meter millivolt sensitivity. The meter should read within ± 1 division of the figure written in the bottom blank on the calibration cell cover. If the reading is out of tolerance, adjust the "METER CAL" control for proper reading.

NOTE: Routine Calibration Controls are located in the auxiliary control compartment. If the control has a locking nut, its setting should be rechecked after the nut is tightened.

IMPORTANT: To insure accuracy the calibration cell should be returned to an authorized repair facility for check or replacement at least once every 12 months.

3.07 Short Test Sensitivities.

DURING THE FOLLOWING FOUR TESTS (CARDS #2 THRU #5) LEAVE THE CALIBRATING CELL IN THE OCTAL SOCKET. DO NOT PRESS ANY BUTTONS.

- a. Insert Calibration Card #2, SHORTS 2 MEG NO-GO. Observe that no short lamps are lighted. If any lamps are glowing adjust "LO SENS" short test control to just extinguish all lamps.

2.19 The rest of the potentiometer controls, marked MAIN B+ CAL, BIAS CAL NEG, BIAS CAL POS, FILAMENT STD CAL, METER CAL, SHORT TEST CAL, HI SENS, SHORT TEST CAL LO SENS, are calibration controls and are adjusted by the use of special calibration cards and a calibration cell, as covered in the section on routine calibration and also the maintenance section of this book.

2.20 The line voltage to the tester may vary over a wide range. All circuits in the tester are electronically regulated except the filament supply. To correct for this, a button is pressed and the FILAMENT STD ADJ switch is rotated until the meter reads midscale.

D. Program Cards

2.21 The circuitry in the tester which is to be utilized is selected by a pre-punched card. These cards are made of a tough vinyl plastic material.

2.22 The card switch in the tester has 186 single pole single throw switches. These are arranged in 17 rows with 11 switches in each row. The vinyl card is used to push the switches closed and therefore the absence of a hole in the card is required to actuate a switch.

2.23 The tube numbers are printed in color on the tabs of the cards. For convenience in the filing system the tube number is also printed at the edge of the card.

2.24 The cards are arranged in alpha-numerical order in the test compartment. A special card is provided to be used as a marker when a card is removed for use.

2.25 A pack of calibration cards is supplied for use in routine calibration of this equipment. Another pack of cards is included for use in trouble shooting and complete calibration.

2.26 A pack of printed blank cards and a hand punch are provided so that additional tube test cards may be punched as new tubes are developed. Torn, broken or unserviceable cards may be replaced or duplicated with the hand punch and blank cards.

3. CALIBRATION

3.01 General. The tester is equipped with self-calibrating features which include calibration controls located in the auxiliary control compartment and corresponding calibration code cards. The calibration procedures are divided into two parts, Routine Calibration, listed below, and Complete Calibration, listed in the Maintenance Section.

3.02 Routine Calibration is quickly performed using the proper calibration cards and does not require external test equipment. It should be performed upon initial installation, and weekly thereafter.

3.03 Complete Calibration is also performed with the use of special calibration cards, however, additional test equipment is required for some of the checks.

3.04 The complete calibration may be performed at the time of installation, (in addition to Routine Calibration noted above), and should be checked monthly and whenever trouble is suspected or maintenance work has been performed.

3.05 Routine Calibration Procedure.

- a. Turn tester on and allow it to warm up for 25 minutes. Check that the meter is reading zero. If necessary, re-adjust the mechanical zero adjust so that the needle knife-edge rests over the zero line.
- b. Select the Routine Calibration Cards, #1 through #10, from the tester case cover.

3.06 Meter Check.

- a. Insert calibration card #1, METER, into the switch. Plug the calibration cell into the octal test socket, see figure 4. (The calibration cell is normally stored in the cover of the tube tester.) The left short lamp will glow.
- b. Press button #2 for check of meter microamp cal. The meter should read within ± 1 division of the figure written in the top blank on the calibration cell cover. If the reading is out of tolerance the meter should be checked against a meter standard for 50 μ amp indication at mid-scale. If the error is significant, the meter should be repaired or replaced.
- c. Hold down button #2 and press button #4 to check meter millivolt sensitivity. The meter should read within ± 1 division of the figure written in the bottom blank on the calibration cell cover. If the reading is out of tolerance, adjust the "METER CAL" control for proper reading.

NOTE: Routine Calibration Controls are located in the auxiliary control compartment. If the control has a locking nut, its setting should be rechecked after the nut is tightened.

IMPORTANT: To insure accuracy the calibration cell E2 should be returned to an authorized repair facility for check or replacement at least once every 12 months.

3.07 Short Test Sensitivities.

DURING THE FOLLOWING FOUR TESTS (CARDS #2 THRU #5) LEAVE THE CALIBRATING CELL IN THE OCTAL SOCKET. DO NOT PRESS ANY BUTTONS.

- a. Insert Calibration Card #2, SHORTS 2 MEG NO-GO. Observe that no short lamps are lighted. If any lamps are glowing adjust "LO SENS" short test control to just extinguish all lamps.

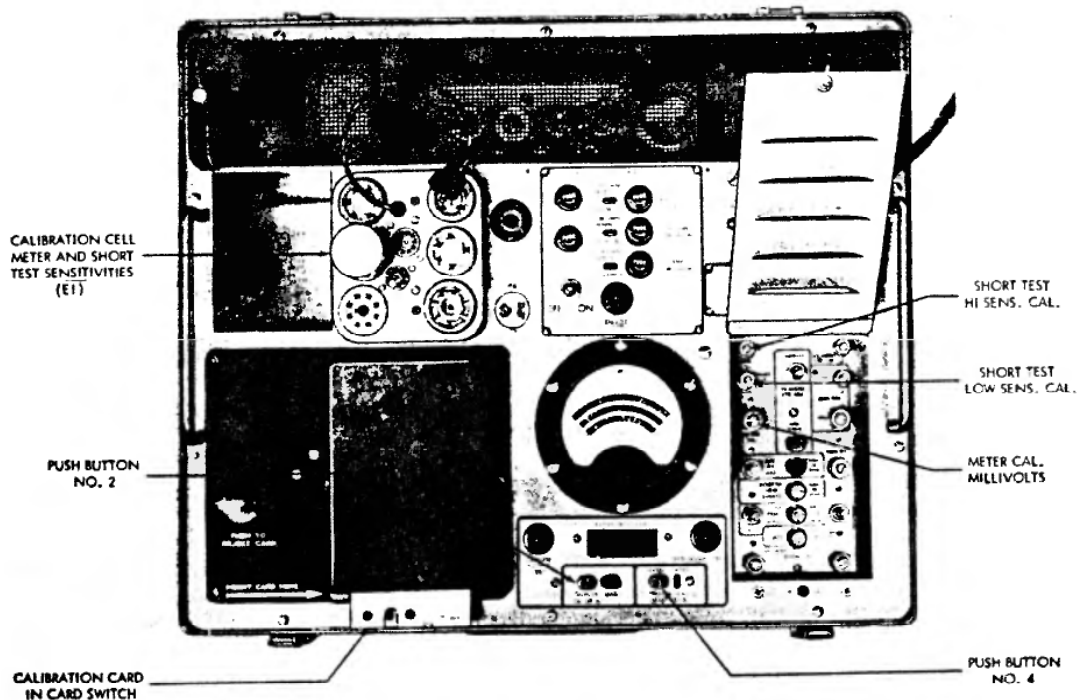


Figure 4 - Meter Sensitivity

- b. Insert Card #3, SHORTS 1 MEG GO. The left four lamps should glow. If they are not glowing re-adjust the "LO SENS" control until they glow with Card #3 and are extinguished with Card #2, as listed above.
- c. Insert Card #4, SHORT 20 MEG NO-GO. Press SENSITIVE GRID SHORTS button located in the Auxiliary Compartment (See Figure No. 3). No short lamps should glow. (If any are lighted adjust the "HI SENS" control).
- d. Insert Card #5, SHORT 10 MEG GO. Press SENSITIVE GRID SHORTS button located in the Auxiliary Compartment (See Figure No. 3). The number 4 lamp only (counting left to right) should glow.

NOTE: The Lamp may flicker or glow dimly as compared to the "LO SENS" short indication. If the number four lamp is not glowing re-adjust the "HI SENS" control until it glows with card #5 and is extinguished with card #4, as before.

REMOVE CALIBRATION CELL FROM OCTAL SOCKET.

3.08 Bias Calibration.

- a. Insert Card #6, FIXED BIAS CAL NEG. No short lamps should glow. Press button #2. Meter should read half scale. If reading is other than half scale, adjust "BIAS CAL NEG" control for proper indication.
- b. Insert Card #7, FIXED BIAS CAL POS. Short lamps 1 and 2 should glow. Press button #2. Meter should read half scale. If another reading is obtained, adjust "BIAS CAL POS" control.

.09 Main B+ Power Supply Calibration.

- a. Insert Card #8, MAIN B PLUS CAL. Short Lamps 1, 2, 3 and 5 should glow. Press button #2. The meter should read half scale. If meter reading is not proper, adjust MAIN B+ CAL for correct indication.

.10 Gm Bridge Balance.

Check that the white dots on the Gm BAL HI Ib and LO Ib knobs are in line with the associated dots labeled NOM (Nominal) on the panel.

- a. Insert Card #9, GM BAL LOW IB. Press button #2. Meter should read zero, +5 divisions or minus the equivalent of 5 divisions. If the reading is out of tolerance the LO Ib control may be adjusted for a zero reading and the knob re-set on the control shaft to properly align the dots.

NOTE: The balance adjustments are somewhat subject to temperature variation and the tester should be completely warmed up prior to these adjustments.

- b. Insert Card #10, GM BAL HI IB. Press button #2. The meter should read zero, + 5 divisions or minus the equivalent of 5 divisions. If the reading is out of tolerance the HI Ib control may be adjusted in manner noted for LO Ib above.

3.11 Meter Protection Circuit, AN/USM-118B

In order to insure proper operation of the meter protection circuit over the required range of temperatures, the following adjustments are necessary.

- a. Remove the tester from the case and allow 15 minutes warm-up time.

NOTE: R171 (Q2 base adjust resistor, located on the power supply chassis) may be set so that the tester will not turn on. If this is the case adjust R171 so that the tester stays on.

- b. Make all adjustments at normal room temperature with 115 VAC input.
- c. With a 20,000 ohms-per-volt voltmeter connected across R167 (Figure 26) (positive lead connected to the junction of the emitter of Q2 and R167), adjust R171 for a voltmeter reading of 0.45 volts \pm 0.01 volts.
- d. Remove the positive lead of the voltmeter from R167 and connect it to the junction of the collector of Q1, R163, and C113. Adjust R164, (Figure 22) for a voltmeter reading of 4.5 volts \pm 0.1 volt.
- e. Tighten the locking nuts on R164 and R171, then recheck the voltages just measured.

4. OPERATION :

A. Normal

4.01 Before operating this set the calibration procedure, as outlined in Section 3.0 should be followed.

4.02 The tester is equipped with a three-conductor power cord, one wire of which is chassis ground. It should be plugged into a 105-125 volt 50 to 400 cycle outlet having a building ground.

4.03 Open the auxiliary compartment trap door and check for the following to be in the NOM position:

FILAMENT STD. ADJ. knob

GM BAL - 2 knobs. GRID SIG. button should be up, no red light at GRID SIGNAL OFF lamp.

CATH ACT - Button up and no red light at CATHODE ACTIVITY TEST lamp.

All other controls in this compartment should be left as is.

4.04 Turn on the tester and allow it to warm up for 5 or 10 minutes. This tester may be left on for extended periods without harm. Some heat will be noted from the ventilated section at the rear but this is normal.

4.05 Press PUSH TO REJECT CARD knob down until it locks and remove the non-test card from the switch. This card is used to keep the switch pins in place during the shipment and should be inserted before transporting the tester.

4.06 Plug the tube to be tested into its proper socket. Pin straighteners are supplied for 7 and 9 pin miniature tubes and should be used before these tubes are plugged in.

4.07 The tester is shipped with calibration cards and handpunch cards in its case. Cards for tubes are obtained separately. It is important that cards be kept in their proper order. A yellow plastic flag is provided to be used as a bookmark when cards are removed. It is expected that different locations may want to add more markers to separate card groups or to intermix card groups in the tester case. However, this should be done with care so that other operators will not be confused. Probably it would be best to use the tester a few months before any refiling is done.

4.08 Select the proper card (or cards) for the tube to be tested. Insert the selected card into the slot in the card switch until the card switch is actuated. This is indicated when the PUSH TO REJECT CARD knob pops up.

NOTE: The card will operate the tester only when it is inserted properly, that is, when the printing is up and toward the operator. Never put paper or objects other than program cards into the card switch as they may jam the switch contacts. If the overload relay shuts off the tester when the program card actuates the card switch, check to make sure that the proper card is being used or if the tube under test has a direct interelectrode short.

Once the card switch has been actuated the tube under test is automatically subjected to an interelement shorts test and a heater to cathode leakage test. A blinking or steady glow of any of the short test lamps is an indication of an interelement short. If the short test lamps remain dark, no interelement shorts exist within the tube under test. If an interelement short exists between two or more elements, the short test lamp or lamps connected between these elements will remain dark and the remaining lamps will light. The abbreviations for the tube elements are located on the panel just below the short test hood so that the neon lamps are between them, making it possible to determine what elements are shorted. For example, if all the lamps were lighted except the right hand one it would indicate a grid to cathode short. If only the left hand

lamp is lighted it indicates a plate to cathode short. Heater to cathode shorts are indicated as leakage currents on the number 1 meter scale. If the meter reads above the green area the tube should be replaced. A direct heater to cathode short would cause the meter to go full scale.

4.09 The tube is now ready for the QUALITY test. This may be for transconductance, emission, plate current, voltage drop, etc., depending on the type of tube being tested. Push the number 2 button and read the number 2 meter scale which tells whether or not the tube is good. The actual Gm or milliampere reading can be interpreted with the aid of the TUBE TEST CONDITIONS booklet which is shipped with the tester. When the number 2 button is pressed the numerical meter scale may be read as a percentage of full scale. By referring to the booklet for the full scale reading the actual Gm can be determined. For example, if a tube read 70 and the booklet listed its full scale reading as 6800 umhos, the actual reading would be 70% of 6800 or 4760 umhos. Of course the reading for rectifiers and diodes would be interpreted in milliamperes instead of micromhos.

4.10 The tube may be checked for gas by pressing the number 3 button and reading the number 3 meter scale. The number 2 button also goes down when 3 is pressed.

4.11 If a tube such as a dual diode or dual triode which has two identical sections is being tested, the neon lamp next to the number 4 button will light. This lamp tells the operator that he may check both sections with one card. To do this the operator checks the tube for shorts, leakage, quality and gas which takes care of one section. He then holds down button 4 and repeats the checks for shorts, leakage, quality and gas on the second section.

4.12 Some tubes require more than one card. For example, a tube having dual diode sections and a triode section would have two cards, one for the triode and one to be used with button 4 for checking the diodes. If the two diode sections were not alike the tube would take three cards and the lamp by button 4 would not light. Some tubes have more than one card so that special tests may be made. Commercial voltage regulator tubes have four cards. The first card is an instruction card. The second card is for the dark current test or the point just below firing when the tube is at the maximum leakage point. Button 2 is pressed for this test but leakage is still read on the number 1 meter scale. Card 3 is the low current test. It flows minimum current through the tube and measures the voltage across the tube. Card 4 is the high current test. It flows maximum current through the tube and measures the voltage across the tube. The difference between the readings with cards 3 and 4 indicates the regulation ability of the tube. The closer the readings, the better the regulation.

B. Auxiliary Tests

4.13 As seen from the foregoing paragraphs the normal testing procedure is extremely simple. All that is necessary is to insert the card, check shorts and leakage and then press two buttons and take readings. However, there are other tests which can be made. Controls for these are located in the auxiliary compartment. This compartment has been described in paragraphs 2 and 3 in detail. For testing tubes the only controls used are the five push buttons and the four knobs associated with them. Actually two of these (FILAMENT STD. ADJ. and Gm BAL.) are not really tests but are controls to obtain more accurate test results.

4.14 The FILAMENT STD. ADJ. controls the primary side of the filament transformer. It is used to compensate for variations in line voltage and for variations caused by tubes having large filament currents. For all tubes the white dot on the knob may be aligned with the dot labelled NOM. and left there. However, when the operator wishes to obtain very accurate tests the filament voltage may be standardized for every tube. To do this the PUSH TO READ button is held down and the knob is rotated until the meter reads as close to 50 as possible. When the operator has finished testing tubes, he should restore the knob to NOM.

4.15 The complete adjustment of the Gm bridge balancing controls is described in 3.0. To obtain the most accurate results, the balance should be checked every time a tube is tested for Gm. To do this press button 2 and the GRID SIG. button. The GRID SIGNAL OFF lamp on the tester panel will light. Adjust the LO Ib or HI Ib knob until the meter reads as near zero as pos-

sible. Most tubes require the adjustment of the LO Ib knob, however, tubes that draw heavy plate current require the adjustment of the HI Ib knob. After completing the check, restore the GRID SIG. button to normal by pressing any black button in the auxiliary compartment. When the operator is finished testing he should return both balance knobs to their NOM. positions.

4.16 The cathode activity test is used as an indication of the amount of useful life remaining in the tube. By reducing the filament voltage ten percent and allowing the cathode to cool off slightly the ability of the cathode as an emitter of electrons can be estimated. This test is made in conjunction with the normal quality test. After the tube has warmed up button 2 is pressed and the test meter is read on scale 2; also the numerical reading on the 0-100 scale is noted. The CATH. ACT. button is then locked down. A red light on the tester panel comes on. After a wait of about 1-1/2 minutes button 2 is again pressed and the reading taken on the numerical scale. The tube should be rejected if this reading differs from the normal reading by more than 10 percent or if the reading drops into the red area on scale 2. After this test the button should be restored to normal by pressing any black push button in the auxiliary compartment.

4.17 It is often desirable to check tubes for shorts between grid and cathode at a sensitivity greater than normal. This is especially true for tubes used in oscilloscopes and television sets. To make this check merely press the SENSITIVE GRID SHORTS button and note carefully if any of the shorts lamps light.

4.18 The remaining control in the auxiliary compartment is the auxiliary B+ adjustment. This control varies the voltage of the auxiliary regulated supply. This supply is only used on special test cards such as for Western Electric cold cathode and voltage regulator tubes.

C. Hand Punch Card System

4.19 The Hickok hand punch card system consists of fifty printed blank cards, and one steel hand punch. Additional cards may be ordered under the Hickok Part No. 3122-80.

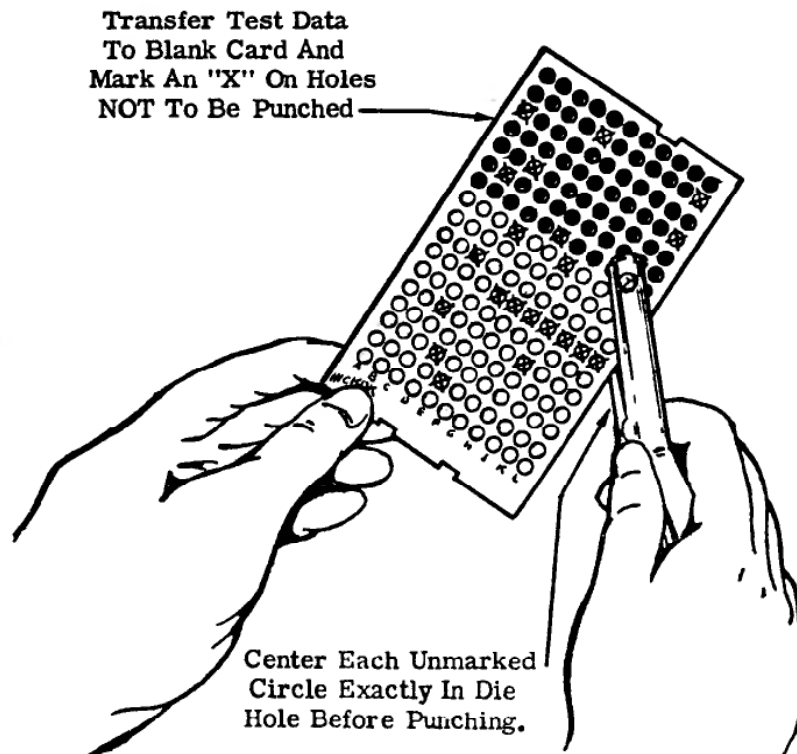


Figure 5 - Punching New or Replacement Tube Test Code Cards

4.20 Preparation of Cards: The Hickok CARDMATIC switch is designed so the unpunched areas in a test card close the contacts. Therefore, all the circles are punched in the card except the ones that close circuit switches.

- a. Transfer the test data to the blank card and mark an "X" on the circles not to be punched.
- b. A convenient way to locate the correct circles on the card is to find the desired lettered row and mark the circles that are not to be punched in that lettered row.

4.21 Punching the Card: Locate the unmarked circle exactly in the die hole of the hand punch and punch the hole.

4.22 Replacing Broken Cards:

- a. Place the parts of the broken card over a blank card and mark the holes to be punched.
- b. Center the marked circles in the die hole of the hand punch and punch the holes.

5. CIRCUIT

A. Circuit Theory

5.01 Previous testers have checked tubes with circuits which were fixed in nature. When a tube having characteristics different from any other was developed it was necessary to test it on a compromise type circuit. In this tube tester an effort has been made to include enough separate circuits so that by interconnecting them, nearly any tube may be tested for nearly any condition. The feature which makes this possible is the card switch with its 186 contacts. This switch may be thought of as a group of patch cords to interconnect a group of laboratory components. This group of components contains the following:

1. 1% R box - high current
2. 1/4% meter
3. 1% meter shunt system
4. Black box - direct reading Gm
5. Fixed bias supply - 1%
6. Regulated B+ supplies
7. AC supplies
8. Decade filament supplies
9. Regulated signal
10. A group of capacitors
11. Unregulated B+ Supply

5.02 The card switch connects these components in nearly any configuration rather than following a fixed circuit pattern. Its functions are mainly as follows:

It applies the properly established voltages to the various pins of the tube sockets.

It chooses a high wattage decade resistance from 0 to 70,000 ohms, in 10 ohm steps

It places certain fixed capacitors into the desired point in the circuits

It puts the Gm bridge into the proper point of the circuit

It connects the regulated signal of 222 millivolts

It chooses half-scale meter shunts capable of resolving at mid-scale, Gm's of 250 to 13,000 micromhos in 50 micromho steps; 250 to 64,000 micromhos in 250 micromho steps; currents from 50 to 2600 microamps in 10 microamp steps; and from 1 to 255 milliamps in one milliamp steps; or voltages from 5 to 260 volts in one volt steps.

It places the meter and its shunts at the proper point of the test circuit.

4. 23 Directions for use of Full Wave and Half Wave Output Current Test Correction Curves. The purpose of the following instructions is to correct quality readings of rectifiers at other than nominal (115 volt) line voltages.

- a. Insert test card into cardswitch. Do NOT insert tube to be tested in the test socket.
- b. Depress the filament standardization PUSH TO READ pushbutton in the auxiliary control compartment.
- c. Adjust the FILAMENT STD. ADJ. control for minimum indication on the meter and note this value.
- d. Insert the tube to be tested into the test socket and perform the test in the usual manner. Be sure to standardize the filament of the tube under test in accordance with paragraph 4. 14.
- e. Use the correction curve (Figure 5A) to find the intersection of the minimum value obtained in step c above and the quality reading obtained in step d.
- f. Corrected readings are given as the radial line passing through the point defined by the intersection found in step e.

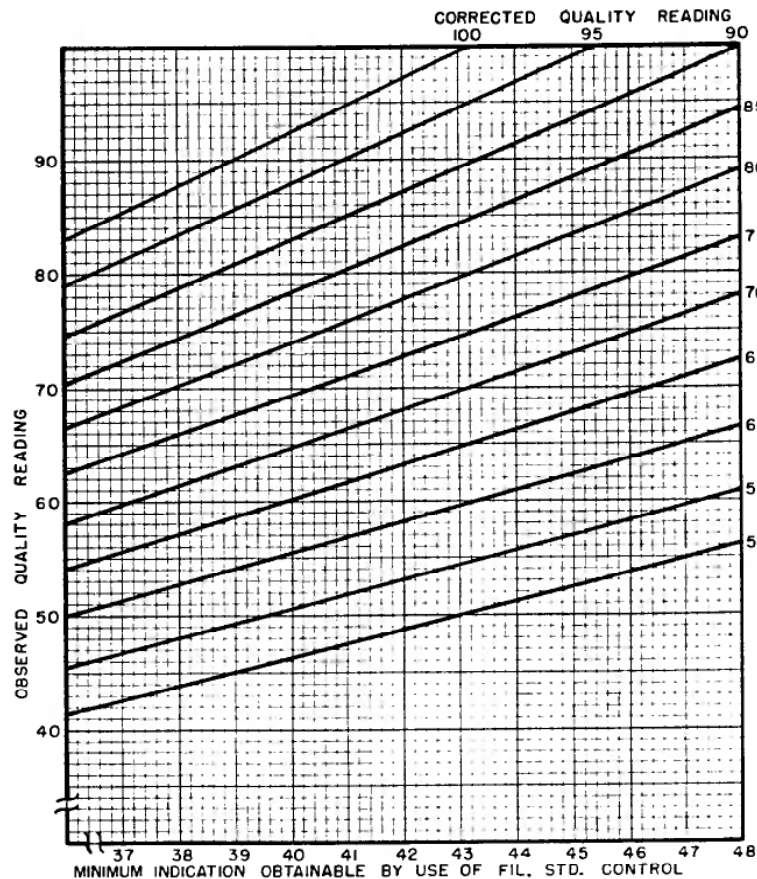


Figure 5A. Curve for Correcting Full-Wave and Half-Wave Rectifier Output Current Tests to Nominal (115 Volts) Line Value

4. 24 Accuracy. This tester is capable of measuring mutual conductance of receiving type electron tubes to within a basic tolerance of 3 percent. Due to the inherent linear decrease in the mutual conductance reading as plate current increases, the correction factor listed in Figure 5B should be applied to maintain the 3 percent tolerance on Gm.

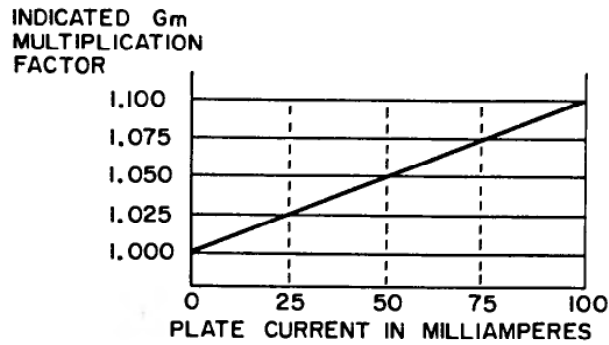


Figure 5B. Gm Correction Factor Chart

It applies a high current, 500 volts AC supply, to the proper point of the test circuit.

It applies a regulated DC supply to the proper point in the circuit and selects its voltage from 10 to 250 volts in 10 volt steps.

It applies an unregulated 350 volt DC supply to the proper point of the test circuit.

It controls a decade fixed bias supply for bias voltages from 0 to 100 volts in 0.1 volt steps.

It chooses a decade ac filament voltage from 0 to 119.9 volts in 0.1 volt steps.

It chooses a decade dc filament voltage from 0 to 50 volts in 0.1 volt steps.

5.03 In this tester an effort has been made to test tubes under typical operating conditions and values recommended by tube handbooks. Instead of only Gm and emission tests being used, variations have been added to compliment them. Some examples of how the circuit selection system is used in testing various types of tubes are explained in the following paragraph.

5.04 The amplifying type tubes, which are those having control grids, are tested for Gm. Most of these are in the triode and pentode groups. Triodes are usually operated in either a fixed bias or self-bias circuit. Figure 6 illustrates that for triode fixed bias types the cathode is ground. The negative bias plus a small A.C. signal is added and applied to the grid. The plate of the tube is connected to one end of the Gm bridge circuit with the regulated DC or B+ connected to the other end. This circuit is set up by the card in the card switch and by pressing button 2 it is energized for the test.

Figure 6 shows that the triode self bias test resembles the fixed bias test except that the cathode is grounded through the biasing resistance which is shunted by a capacitor.

5.05 By referring to Figure 6 it is noted that pentodes are tested the same as triodes except for the addition of the screen and suppressor grids. In both cases the screen voltage is connected just before entering the Gm circuit. In fixed bias operation the suppressor grid is grounded directly while in the self bias case it is connected to the cathode.

5.06 Figure 7 shows a two-control grid type of heptode. In testing this tube the bias voltage is applied to each control grid but the signal is only applied to one at a time, which then makes a measurement of the respective grid to plate Gm. Two test cards are necessary for this type of tube.

5.07 Power pentodes used in pulse applications are given a normal Gm test but in addition receive a second test which is referred to as a "knee" test. In order to produce the necessary pulse power the plate current of these pentodes must sweep from near cut-off to full saturation at the knee of the plate current-plate voltage curves. The Gm test is important but the knee test is necessary for a complete check. The "knee" test circuit is shown in Figure 7.

5.08 Figure 7 shows two special tests that are made for triodes intended for computer application. In addition to the normal Gm test these tubes are normally tested for zero bias plate current (ON test) and for high bias plate current (OFF test). Since these tubes are intended for multivibrator application it has been found necessary to make these tests to assure proper operation.

5.09 DC Filament Tubes. Certain battery-operated tubes have directly heated or filamentary cathodes. These are tested the same as triodes or pentodes except in certain cases dc from the full wave silicone rectifier bridge is applied to the filament of the tube. Should shorts occur in this type of tube, the meter will deflect to the left under the leakage test. This can be disregarded as the shorts lamps will actually show the defect.

5.10 Diode type tubes are tested with several different circuits depending on the type of diode tested. In the full wave rectifier circuit shown in Figure 8, the 250 volt center tapped ac is applied directly across the plates of the tube. A load resistance with filter capacitor is connected to the cathode of the tube. The output current is measured by the meter being connected as a dc milliammeter. The load resistor is adjusted so that the average indicated current or emission will be for the handbook condition.

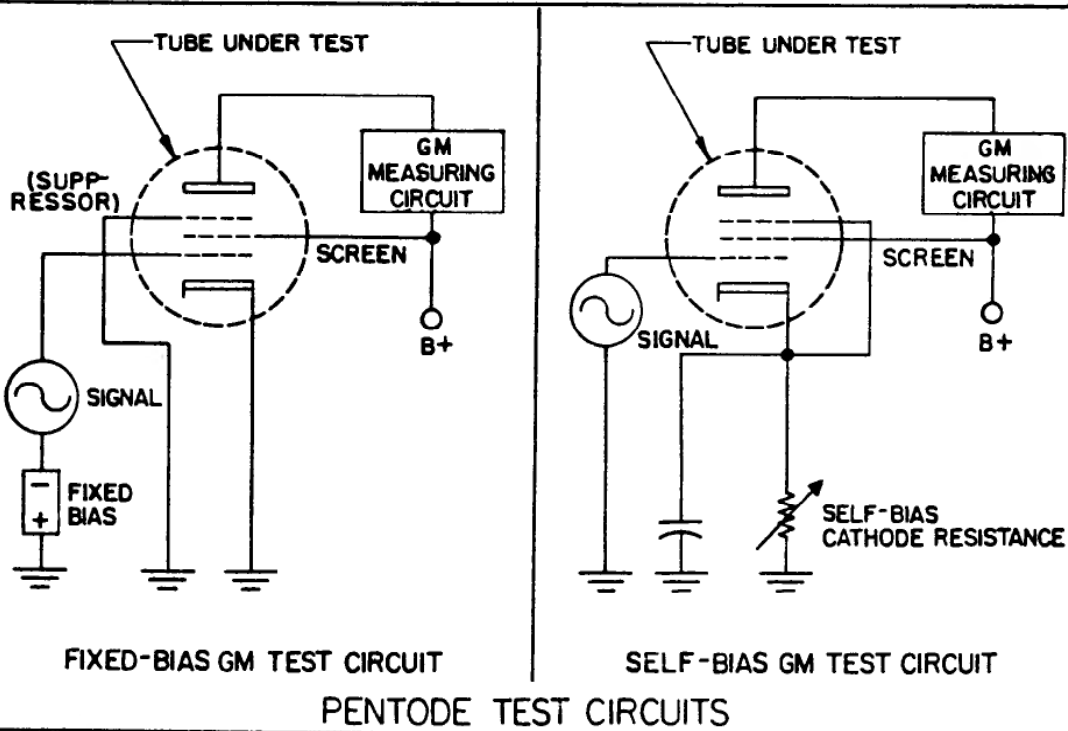
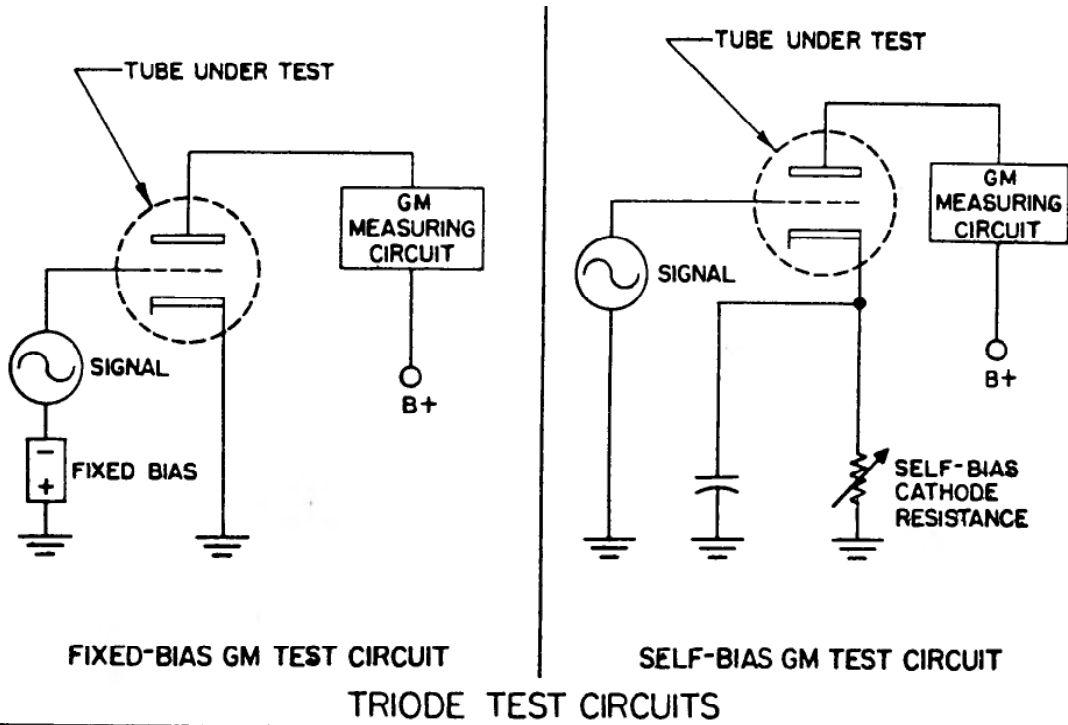
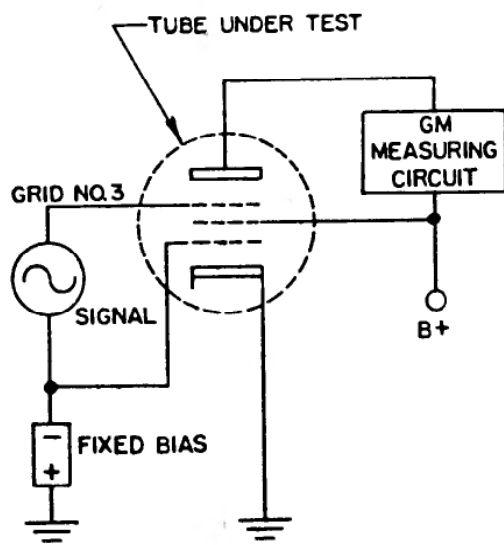
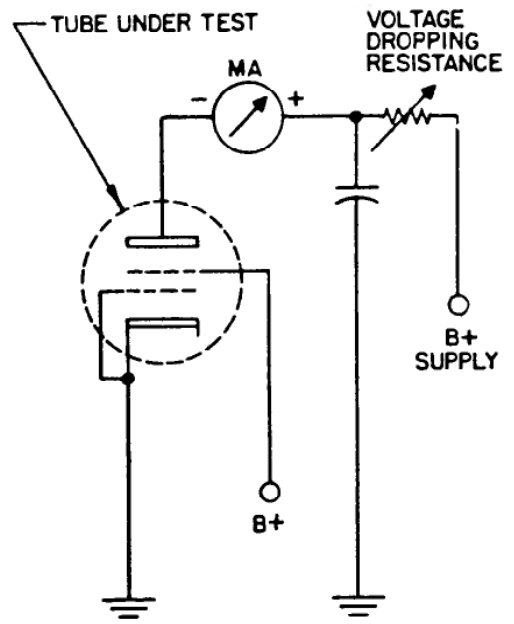


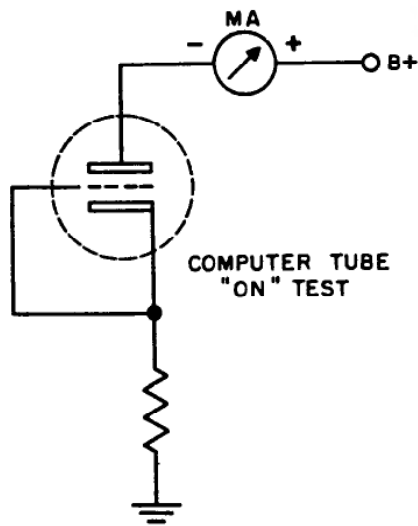
Figure 6 - Test Circuits for Amplifying Tubes



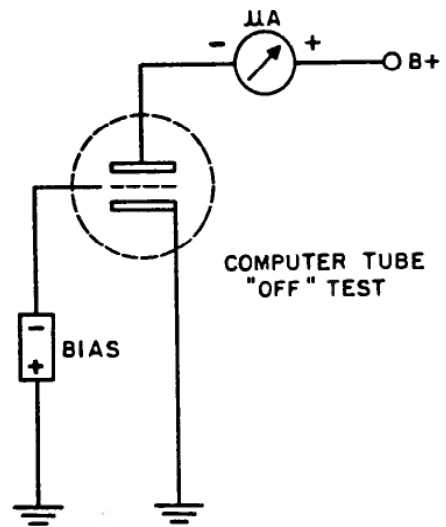
HEPTODE
GM TEST CIRCUIT



"KNEE" TEST CIRCUIT

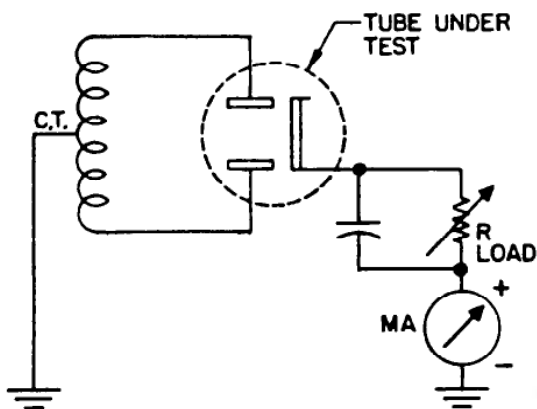


COMPUTER TUBE
"ON" TEST

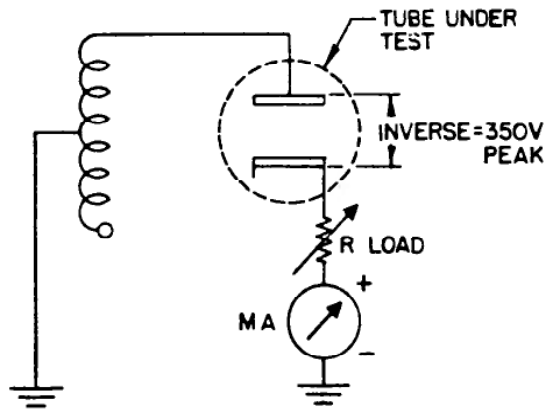


COMPUTER TUBE
"OFF" TEST

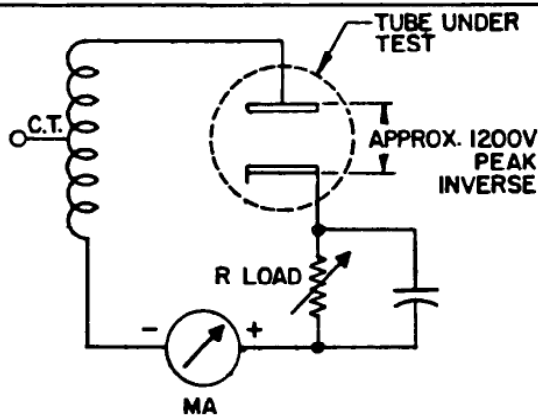
Figure 7 - Special test Circuits



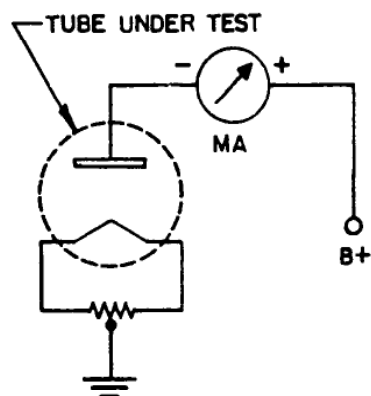
Full Wave Rectifier Test Circuit



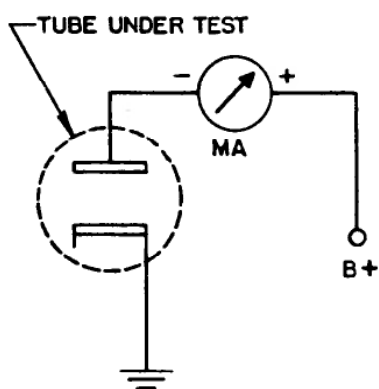
Half Wave Rectifier Test Circuit



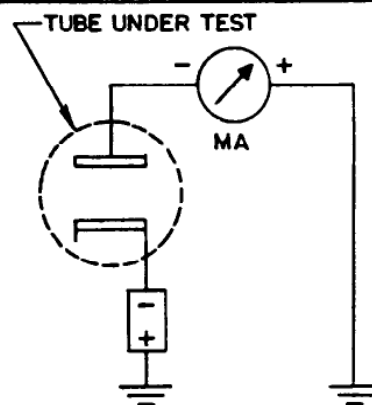
High Voltage Rectifier Test Circuit



High Voltage Diode Test Circuit



High Perveance Diode Test Circuit



Low Perveance Diode Section Test

Figure 8 - Basic Types of Diode Test Circuits

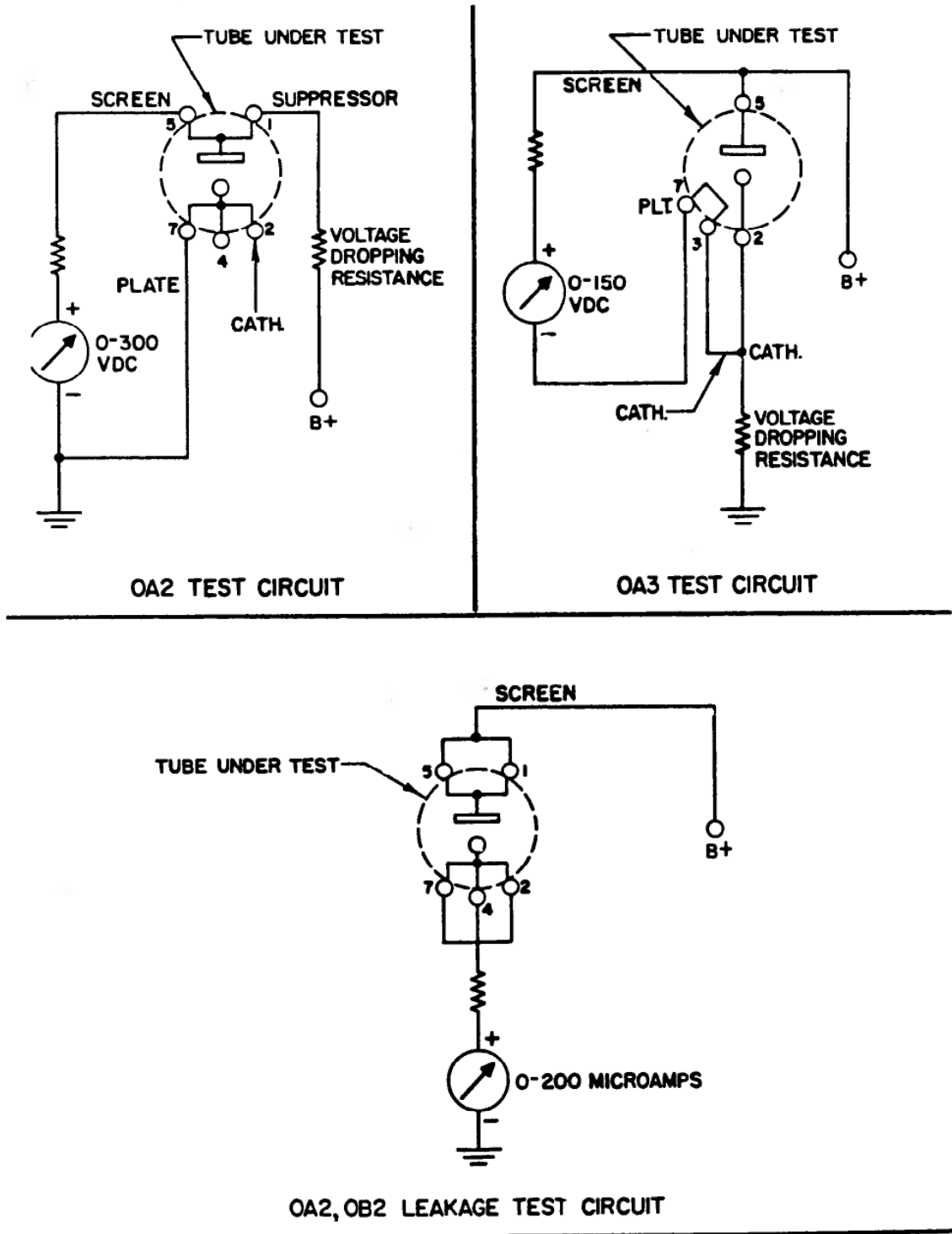


Figure 9 - Voltage Regulator Test Circuits

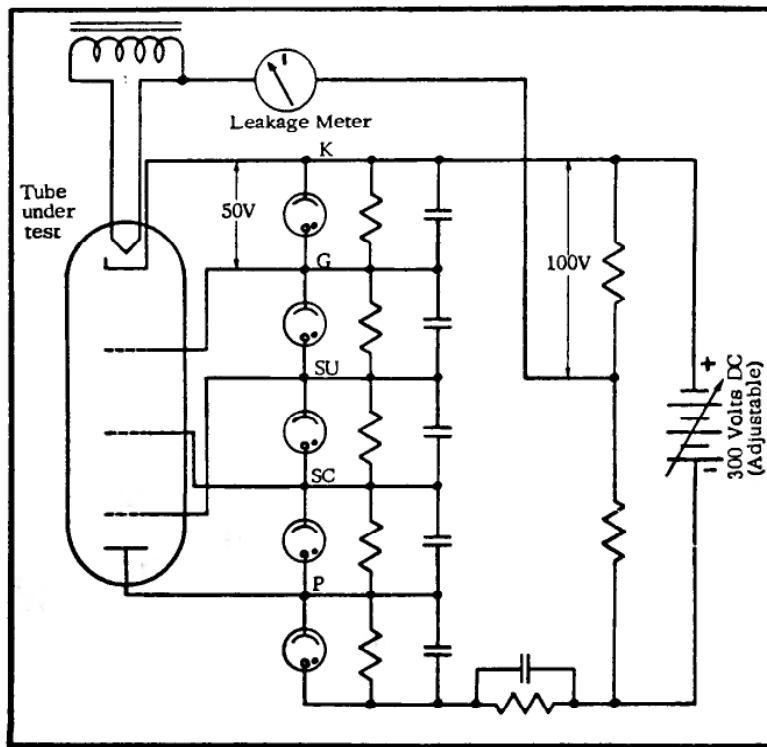


Figure 10 - Shorts and Cathode-to-Filament Leakage Test Circuit

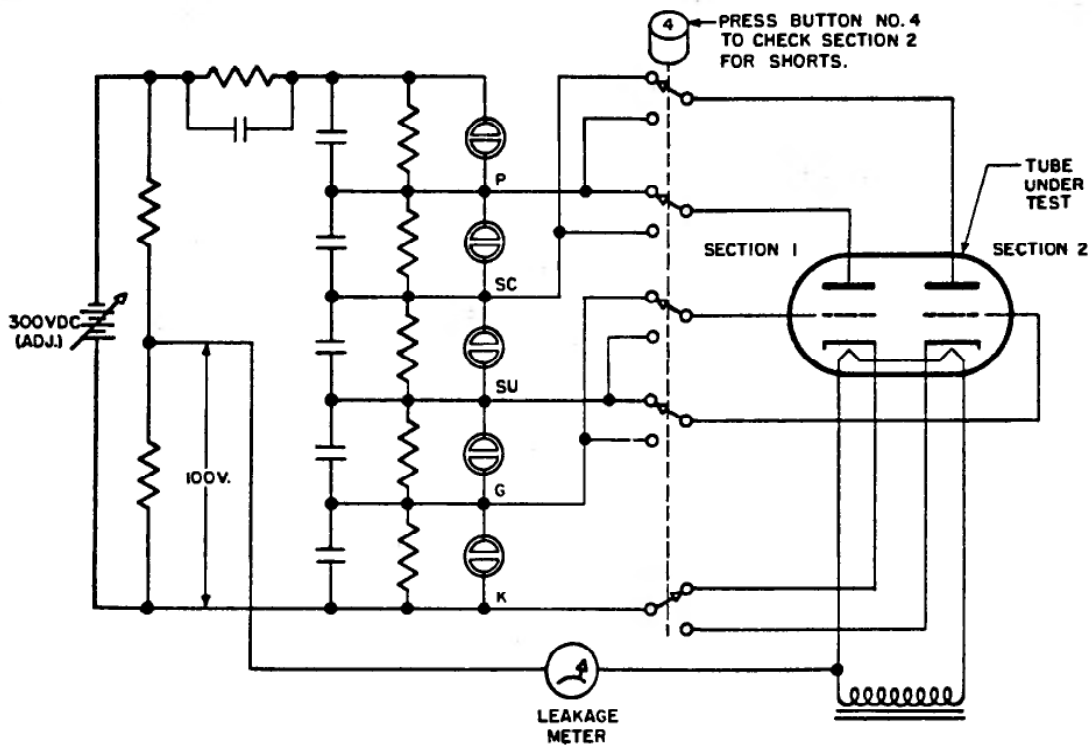


Figure 11 - Shorts and Cathode-to-Filament Leakage Test Circuit (Multi-Section Tube)

5.11 The second rectifier test is for half-wave tubes in which the load resistance is adjusted in series with the milliammeter without the filter capacitor. The circuit for this test is shown in figure 8.

5.12 High voltage type rectifiers are tested on a circuit similar to that shown. High voltage ac is applied from the plate to the cathode in series with a load resistance and its filter capacitor and then through the dc milliammeter. A low voltage across the tube would reveal its emission characteristics but by using the load capacitor it is possible to develop approximately 1200 volts peak inverse which will show arcing conditions.

5.13 A high voltage diode may be checked for emission by the circuit shown in figure 8. The regulated power supply is connected directly across the tube and the current is metered through the tube. The reject value for this type of tube is fairly low and since the reject point is midscale on the meter most tubes will read near full scale.

5.14 Another type of emission circuit as shown in figure 8 is mainly for use in testing high perveance detector diodes. Ten volts dc is applied across the tube with the milliammeter in series. This type of tube is rated for about 60 MA and is rejected at about 25% of this figure. Low perveance diodes are tested the same way except it is necessary to use a higher impedance 10V supply. Low perveance tubes are rated about 2 MA with a reject point of about 0.3 MA.

5.15 Voltage regulator tubes are checked for continuity, leakage, voltage drop at low current and voltage drop at high current. The regulator tubes are tested by using four cards, one of which is an instruction card that is not inserted into the tester. The number 2 card measures leakage as shown in figure 9.

The tube jumpers are connected together and the voltage is applied across the tube in series with the meter. The reject point for these tubes is 10% of full scale. Card 3 is for measuring the voltage drop across the tube at low current while card 4 measures the drop at high current. The difference between the meter readings using these two cards is the regulating ability of the tube. The nearer to zero the difference the better the regulation. The number 1 card has test information to guide the operator in judging test results. Typical VR test circuits are shown in figure 9. The shorts test lamps are used to check jumper continuity. The left lamp will glow on cards 3 and 4 indicating a plate to cathode short. Should a tube have discontinuity no reading will be obtained on the tester meter when button 2 is pressed. Normally a good tube will read half scale on the meter.

5.16 Short Test. When a tube is inserted into the set for test, it is immediately subjected to a gradient type of DC voltage as illustrated in figures 10 and 11, which show the short test circuits for typical single and multi-sections. This voltage gradient is adjusted so that all five neon lamps are extinguished unless a resistive path exists across them. The voltage gradient appears across a series of relaxation oscillator circuits, composed of a capacitor and resistor connected to each lamp and tube element. The short resistance determines the charging rate of the capacitor. The capacitor charges to the lamp starting voltage then discharges through the lamp. The cycle then repeats. The circuit is thus set up so that the lamps will flash intermittently for a high resistance and glow steadily for a low resistance short. The DC voltage is polarized in such a way that if the tube exhibits grid emission the lamps will also flash. The sensitivity of the shorts test circuit from grid to cathode is 1 megohm indication and 2 megohms no indication. The sensitivity of the short test for various interelement shorts is shown in figure 12. A separate pushbutton in the auxiliary compartment is used to check critical grid-to-cathode shorts at a sensitivity of 10 megohms indication and 20 megohms no indication. If the neon short test lamps indicate that an interelement short exists, the chart in figure 12 should be used as an aid in identifying the shorted elements. Certain diodes, due to a shield connection in the test circuit, may indicate a short from grid or suppressor to the other tube elements. Damper diodes will show a plate-to-cathode short as a screen-to-cathode short due to the test circuit arrangement.

5.17 Leakage Test. This test is made by placing a microammeter in series with the heater and cathode, see figure 10. A system of shunts is available so that the reject point can be set up individually for the various types of tubes. The tester meter scale has definite reject point but actual current may be as low as 10 microamperes or as high as 150 microamperes depending on the type of tube. By using this system nearly any handbook condition can be duplicated. The amount of leakage tolerable is of course dependent on the application. As an example, a tube used in a cathode follower circuit with high cathode resistance may have to be rejected with as little as 10 microamperes of cathode to filament leakage. On the other hand a direct cathode to filament short in a tube used in a grounded cathode circuit may be insufficient cause for rejection.

5.18 Gas Test. Button 3 is used to test the tube for grid current due to gas. Pressing button 3 also actuates the button 2 through an interlock which operates the tube under normal bias and plate current conditions. If gas ions are present in the vacuum they will migrate to the negative grid and cause a current to flow which is read on the number 3 scale of the meter. The allowable grid current, due to gas, ranges from .5 to 3 microamps depending on the tube type. Of course, tubes having no grids cannot be tested for gas in this manner. In all of the tube tests a zero bias grid voltage is avoided because it would cause the meter to deflect to the left or opposite to that of gas current due to contact potential.

If the meter deflection is beyond the green sector of the meter under #3 test, the amplifier tube has a grid current in excess of 3 microamperes and it is definitely of no useful service. This reject point is based upon manufacturers' specifications for a large number of tubes. However, in circuits where there is a high grid impedance present even a 1/2 microampere grid current is harmful, therefore any up scale deflection under #3 test should be regarded with question for a given tube.

PENTODE SHORT OR LEAKAGE PATH	NEON LAMPS					FULL WAVE RECTIFIER OR DUAL DIODE AND DUAL TRIODE SHORT OR LEAKAGE PATH *	MAXIMUM SENSITIVITY REGION (MEGOHMS)
	P	SC	SU	G	K		
CATH - GRID	X	X	X	X		CATH - GRID - SECT. 1	1 - 2
CATH - SUPR.	X	X	X			CATH, SECT. 1 - GRID, SECT. 2	5 - 10
CATH - SCR.N.	X	X				CATH, SECT. 1 - PLT., SECT. 2	15 - 30
CATH - PLT.	X					CATH - PLT., SECT. 1	30 - 60
GRID - SUPR.	X	X	X		X	GRID, SECT. 1 - GRID, SECT. 2	1 - 2
GRID - SCR.N.	X	X			X	GRID, SECT. 1 - PLT. SECT. 2	5 - 10
GRID - PLT.	X				X	GRID - PLT., SECT. 1	15 - 30
SUPR - SCR.N.	X	X		X	X	GRID - PLT., SECT. 2	1 - 2
SUPR - PLT.	X			X	X	PLT., SECT. 1 - GRID, SECT. 2	5 - 10
SCR.N - PLT.	X		X	X	X	PLT., SECT. 1 - PLT., SECT. 2	1 - 2

*CHART SHOWS INDICATIONS WITH BUTTON NO. 4 NOT PRESSED. WHEN BUTTON NO. 4 IS PRESSED, SECTION 1 BECOMES SECTION 2 AND SECTION 2 BECOMES SECTION 1. (SEE FIG. 11)

THE (X) MARK INDICATES A GLOWING LAMP.

Figure 12 - Interelement Shorts Identification

B. Circuit Description

5. 19 For convenience the schematic circuit is divided into 3 parts. The power supply is shown on Sheet 1. Automatic circuit selection is on Sheet 2. Connections to the tube sockets, push buttons, shorts test and miscellaneous circuits are on Sheet 3.

5. 20 The power supply, Sheet 1, has two transformers (filament and power) which supply the various voltages required. Both sides of the main power line are fused for protection of the transformers against large overloads.

5. 21 The majority of the components of the power supply are protected against overload by two methods. First, the main B+ supply is protected by a circuit consisting of a line slave relay, K101, and an overload sensing reedrelay, K102. The contacts of the reedrelay are connected across the coil of the line slave relay. When an overload occurs in the main B+ supply, the reedrelay contacts close, shorting out the coil on the line slave relay. The line slave relay becomes de-energized, opening both sides of the input power line. Secondly, excessive signals appearing across the meter will be detected by the transistorized meter protection circuit. Signals detected by the protection circuit will remove the power from the line slave relay K101, which will open both sides of the power line.

5. 22 The filament transformer is protected by a 100 watt electric light bulb in series with the primary. This lamp functions as a non-linear resistance network to assure that the filament drain never exceeds 20 watts. When a direct short circuit is applied to the secondary of this transformer the lamp absorbs the overload.

5. 23 The filament transformer supplies ac voltages for tubes under test. These voltages are reduced 10% through a switch in the primary winding for cathode activity tests. The filament transformer primary also has a selector switch that is used to compensate for variations in line voltage over a range of 105 to 125 volts. This switch may be used for critical tests or for tubes having heavy filament drains. However, for normal tests it is left at the 115 volt point.

5. 24 The tester has three operational B+ supplies which are: the main B+, auxiliary B+ and unregulated B+. The main B+ is used as the plate and screen supply for the tube under test. Referring to the power supply schematic, the 250V taps of the power transformer supply the 5U4GB rectifier which is in turn connected to the plate of the 6CD6 series regulator tube. The pentode section of the 6AW8A is an amplifier for the feedback loop which controls the grid of the 6CD6 by sensing the output voltage called for or by sensing a need for regulation because of voltage change. The triode section of the 6AW8A is a voltage reference tube to establish a constant potential at the cathode of the pentode section. The 6C4WA is a low impedance control tube for the screen of the series regulator and is driven from the plate circuit of the amplifier tube. Both grids of the series regulator are being driven but the control is directly to the screen by a voltage from the 6203 through the 6C4WA control tube. The only filtering is through the screen supply from the 6203. The output voltage from this supply is controlled by the group of resistors in series which is shown on Schematic Sheet 2. By closing various switch combinations a voltage from 10 volts to 260 volts in 10 volt steps may be selected. The current drain of the voltage selection network is constant at 1 MA.

5. 25 The auxiliary B+ supply is used primarily in cold cathode tube tests but may be used for other special data requirements. It is supplied by the 6203 rectifier with the 6CL6 being used as the series regulator. The pentode section of the 6AU8 is the loop amplifier for the feedback circuit. The circuit is manually controlled by the auxiliary B+ potentiometer. It is monitored by pressing a button and reading the tester meter. The voltage may be interpreted by multiplying the meter reading by three (the monitoring meter reads 300 volts full scale). The supply is fused and does not operate through the protective relay circuit. The supply is variable from 30 volts to 300 volts at currents up to 30 MA.

5. 26 The unregulated B₊ is obtained from the cathode of the 5U4GB through a simple filter. It provides approximately 350 volts which varies with line and load. It is used in tests where the voltage is immaterial but a high current is desired. An example of this would be in a high emission "knee" test of a pulse power pentode.

5. 27 The tester has a low current regulated supply of approximately plus 150 volts which has three uses as follows: a positive reference grid supply, a part of the supply for the shorts test, and a part of the supply for the heater to cathode leakage test. It is derived from the 6203 through the 6AU8 triode connected as a shunt regulator. A feedback system of neon lamps establishes the +150 volts. The positive reference is taken off a resistive network from 0 volts to +150 volts. This supply can be used as a reference voltage for the grid of a tube under test. It allows the use of larger self bias resistance while the equivalent tube is still negative.

5. 28 The minus 150 volt supply is stabilized and is the basic reference voltage for all other regulator supplies. It forms the negative potential for the shorts test and heater to cathode leakage test circuits and is used as the bias supply. It is derived from 275 volts each side of the center tap and through rectifiers CR101 and CR102. The OA2WA shunt regulator controls the minus supply and is the voltage reference for all regulated supplies.

5. 29 The fixed bias supply, for tubes under test, is obtained directly across the OA2WA tube. It has a range of 0.1 volt to 100V in approximately 0.1 volt steps by using a decade resistor system which is shown on Schematic Sheet 2.

5. 30 The bias off supply is similar to the fixed bias supply. It is used to hold off a section of a tube while another section is being tested. An example of its use would be for testing a dual pentode with common screen and common cathode.

5. 31 The power supply furnishes a grid signal of 0.222 volts from the 10 volt winding of the transformer and an ac bridge type regulating circuit.

5. 32 Other voltages from the power supply are:

- (a) 250 volts ac used mainly for rectifier tests
- (b) 10 volts for driving the transconductance bridge
- (c) Filament supplies for tubes within the power supply

5. 33 The secondary of the transformer which supplies voltages to the filaments of tubes under test is shown on Schematic Sheet 2. These voltages may be varied from 0.1 volt to 119.9 volts in 0.1 volt steps. Sheet 2 also shows a full wave bridge rectifier which supplies up to 1.0 ampere of dc for filamentary type tubes. This DC filament supply is fused and does not depend on the protective circuit for protection.

5. 34 Referring to Schematic Sheet #2 it may be seen that it is largely composed of single pole single throw switches and resistors. These switches are labelled according to their positions in the card switch. By closing various combinations of these switches, the program card automatically selects the circuits to be used on the tube under test.

5. 35 The group of switches and resistors (R215, R229 and R231) along the bottom of the sheet form a decade resistance network. This network is used for applying the proper fixed bias to the tube under test up to 100 volts in 0.1 volt steps by closing various switches to short out unwanted resistors. This decade system has many uses other than negative grid bias. By referring to the circuit theory section it may be seen that it is used as cathode resistance in self bias tests; it is applied to both control grids in heptodes and is often used as voltage dropping resistance in other tests.

5. 36 Referring again to schematic sheet 2 there is another group of switches and resistors

B. Circuit Description

5.19 For convenience the schematic circuit is divided into 3 parts. The power supply is shown on Sheet 1. Automatic circuit selection is on Sheet 2. Connections to the tube sockets, push buttons, shorts test and miscellaneous circuits are on Sheet 3.

5.20 The power supply, Sheet 1, has two transformers (filament and power) which supply the various voltages required. Both sides of the main power line are fused for protection of the transformers against large overloads.

5.21 The majority of the components of the power supply are protected against overload by two methods. First, the main B+ supply is protected by a circuit consisting of a line slave relay, K101, and an overload sensing reedrelay, K102. The contacts of the reedrelay are connected across the coil of the line slave relay. When an overload occurs in the main B+ supply, the reedrelay contacts close, shorting out the coil on the line slave relay. The line slave relay becomes de-energized, opening both sides of the input power line. Secondly, overloads which cause the meter needle to deflect excessively, either up-scale or down-scale, will be detected by contacts in the meter. These contacts energize another reedrelay, K104, which also will cause the line slave relay to de-energize, opening both sides of the power line. (See Section 6.13 and Figure 16).

5.22 The filament transformer is protected by a 100 watt electric light bulb in series with the primary. This lamp functions as a non-linear resistance network to assure that the filament drain never exceeds 20 watts. When a direct short circuit is applied to the secondary of this transformer the lamp absorbs the overload.

5.23 The filament transformer supplies ac voltages for tubes under test. These voltages are reduced 10% through a switch in the primary winding for cathode activity tests. The filament transformer primary also has a selector switch that is used to compensate for variations in line voltage over a range of 105 to 125 volts. This switch may be used for critical tests or for tubes having heavy filament drains. However, for normal tests it is left at the 115 volt point.

5.24 The tester has three operational B+ supplies which are: the main B+, auxiliary B+ and unregulated B+. The main B+ is used as the plate and screen supply for the tube under test. Referring to the power supply schematic, the 250V taps of the power transformer supply the 5U4GB rectifier which is in turn connected to the plate of the 6CD6 series regulator tube. The pentode section of the 6AW8A is an amplifier for the feedback loop which controls the grid of the 6CD6 by sensing the output voltage called for or by sensing a need for regulation because of voltage change. The triode section of the 6AW8A is a voltage reference tube to establish a constant potential at the cathode of the pentode section. The 6C4WA is a low impedance control tube for the screen of the series regulator and is driven from the plate circuit of the amplifier tube. Both grids of the series regulator are being driven but the control is directly to the screen by a voltage from the 6203 through the 6C4WA control tube. The only filtering is through the screen supply from the 6203. The output voltage from this supply is controlled by the group of resistors in series which is shown on Schematic Sheet 2. By closing various switch combinations a voltage from 10 volts to 260 volts in 10 volt steps may be selected. The current drain of the voltage selection network is constant at 1 MA.

5.25 The auxiliary B+ supply is used primarily in cold cathode tube tests but may be used for other special data requirements. It is supplied by the 6203 rectifier with the 6CL6 being used as the series regulator. The pentode section of the 6AU8 is the loop amplifier for the feedback circuit. The circuit is manually controlled by the auxiliary B+ potentiometer. It is monitored by pressing a button and reading the tester meter. The voltage may be interpreted by multiplying the meter reading by three (the monitoring meter reads 300 volts full scale). The supply is fused and does not operate through the protective relay circuit. The supply is variable from 30 volts to 300 volts at currents up to 30 MA.

5. 26 The unregulated B+ is obtained from the cathode of the 5U4GB through a simple filter. It provides approximately 350 volts which varies with line and load. It is used in tests where the voltage is immaterial but a high current is desired. An example of this would be in a high emission "knee" test of a pulse power pentode.

5. 27 The tester has a low current regulated supply of approximately plus 150 volts which has four uses as follows: a positive reference grid supply, a voltage for operating the reed-relay, K104, for the meter contacts, a part of the supply for the shorts test, and a part of the supply for the heater to cathode leakage test. It is derived from the 6203 through the 6AU8 triode connected as a shunt regulator. A feedback system of neon lamps establishes the +150 volts. The positive reference is taken off a resistive network from 0 volts to +150 volts. This supply can be used as a reference voltage for the grid of a tube under test. It allows the use of larger self bias resistance while the equivalent tube is still negative.

5. 28 The minus 150 volt supply is stabilized and is the basic reference voltage for all other regulator supplies. It forms the negative potential for the shorts test and heater to cathode leakage test circuits and is used as the bias supply. It also supplies the voltage for the hold coil on reedrelay, K104, in the protective circuit. It is derived from 275 volts each side of the center tap and through rectifiers CR101 and CR102. The OA2WA shunt regulator controls the minus supply and is the voltage reference for all regulated supplies.

5. 29 The fixed bias supply, for tubes under test, is obtained directly across the OA2WA tube. It has a range of 0.1 volt to 100V in approximately 0.1 volt steps by using a decade resistor system which is shown on Schematic Sheet 2.

5. 30 The bias off supply is similar to the fixed bias supply. It is used to hold off a section of a tube while another section is being tested. An example of its use would be for testing a dual pentode with common screen and common cathode.

5. 31 The power supply furnishes a grid signal of 0.222 volts from the 10 volt winding of the transformer and an ac bridge type regulating circuit:

5. 32 Other voltages from the power supply are:

- (a) 250 volts ac used mainly for rectifier tests
- (b) 10 volts for driving the transconductance bridge
- (c) Filament supplies for tubes within the power supply

5. 33 The secondary of the transformer which supplies voltages to the filaments of tubes under test is shown on Schematic Sheet 2. These voltages may be varied from 0.1 volt to 119.9 volts in 0.1 volt steps. Sheet 2 also shows a full wave bridge rectifier which supplies up to 1.0 ampere of dc for filamentary type tubes. This DC filament supply is fused and does not depend on the protective relay circuit for protection.

5. 34 Referring to Schematic Sheet #2 it may be seen that it is largely composed of single pole single throw switches and resistors. These switches are labelled according to their positions in the card switch. By closing various combinations of these switches, the program card automatically selects the circuits to be used on the tube under test.

5. 35 The group of switches and resistors (R215, R229 and R231) along the bottom of the sheet form a decade resistance network. This network is used for applying the proper fixed bias to the tube under test up to 100 volts in 0.1 volt steps by closing various switches to short out unwanted resistors. This decade system has many uses other than negative grid bias. By referring to the circuit theory section it may be seen that it is used as cathode resistance in self bias tests; it is applied to both control grids in heptodes and is often used as voltage dropping resistance in other tests.

5. 36 Referring again to schematic sheet #2 there is another group of switches and resistors

(R234 and R240) located in the lower left hand corner of the drawing. This group of switches and resistors is used to establish the output voltage of the regulated B+ supply. The following table lists the switch combinations which are closed to obtain the various output voltages:

<u>VOLTS</u>	<u>CLOSE SWITCH</u>	<u>VOLTS</u>	<u>CLOSE SWITCH</u>
10	D-17, L-3, L-4	140	B-17, L-4
20	D-17, E-17, L-4	150	B-17, E-17
30	D-17, L-4	160	B-17
40	D-17, E-17	170	L-2, L-3, L-4
50	D-17	180	L-2, E-17, L-4
60	C-17, E-17, L-3, L-4	190	L-2, L-4
70	C-17, L-3, L-4	200	L-2, E-17
80	C-17, E-17, L-4	210	L-2
90	C-17, L-4	220	L-3, L-4
100	C-17, E-17	230	E-17, L-4
110	C-17	240	L-4
120	B-17, L-3, L-4	250	E-17
130	B-17, E-17, L-4	260	None

5.37 The group of switches and resistors (R203 to R205) is used as shunts to the meter for establishing sensitivity of the leakage test.

5.38 The group of switches and resistors in the center of schematic sheet 2 at the top, is used as shunts and multipliers for the meter when used in the quality test. These shunts and multipliers make it possible to provide broad ranges of sensitivities as discussed in the section on circuit theory.

5.39 The group of components in the center of schematic sheet 2 forms the Gm bridge circuit. For purposes of analyzing this circuit consider the meter and its shunts connected across condensers C401 and C402 and a 10 volt transformer winding connected across C403. The transformer winding acts as a bias source to alternately turn on diodes CR401 and CR403 while turning off diodes CR402 and CR404 and vice versa. By this action all the DC current that enters the bottom end of the bridge is chopped into alternating current, sent through the meter and its shunts, and put back together again into a DC current as it flows out of the top of the bridge. The meter, which is a direct current average reading device, will respond to the difference in the magnitude of the two alternating current pulses. By modulating the grid of the tube under test with an AC signal of the same phase relationship as the 10 volt bias winding in the bridge, these two current pulses will be of different magnitude and the meter can be calibrated directly in micromhos inasmuch as it is responding to a minute change in plate current with minute change in grid voltage which is by definition, transconductance. The resistor network, consisting of R402 to R406, is of a high impedance nature and is used to balance out the back resistance characteristics of the diodes. Potentiometer R405 is then called Gm balance low current. Potentiometer R401 is of very low value and is in series with the diodes. This potentiometer is called Gm balance high current and is used to balance the bridge for the forward characteristic of the diodes at a high current. This circuit is separately fused in order to prevent damage to the bridge under certain short circuit conditions that cannot be sensed by the relay protection circuit.

5.40 The rest of the contact groups appearing on sheet 2 are used to establish the test configuration and to control miscellaneous other circuits.

5.41 Sheet 3 of the schematic contains a group of card switch contacts which provide connections to the pins of the tube under test. The short, leakage and gas test circuits are shown on this figure but are completely described in 5.16, 5.17 and 5.18. The remainder of sheet 3 consists of the push button and meter circuits. It should be noted that when button 3 (GAS) is pressed it also actuates button 2 (QUALITY). This maintains normal operating conditions on the tube but switches the meter to the grid circuit.

6. MAINTENANCE

A. General

6.01 Most maintenance on this equipment can be accomplished with the aid of the Routine Calibration procedure, the Complete Calibration Procedure, the Trouble Shooting Procedure and the Voltage and Resistance Chart. All these procedures make use of test cards stored in the tester case cover.

B. Complete Calibration

6.02 Perform the Routine Calibration procedure as listed in section 3. Then proceed as follows:

6.03 Signal Adjustments:

- a. Connect the tube tester to the power line thru a Variac set to 115 volts. See figure 13. Turn the instrument on.

Insert Card 11, SIG. REG. AND AMPL, into the Card Switch. Connect a high-impedance, sensitive AC voltmeter from pin 3 to pin 6 on any convenient socket. NOTE: THIS MUST BE A HIGH IMPEDANCE AC VACUUM TUBE VOLTMETER, CAPABLE OF ACCURATE MEASUREMENT OF 0.222 VOLTS RMS. BALL AN-TINE MODEL 300 OR EQUIVALENT IS RECOMMENDED.

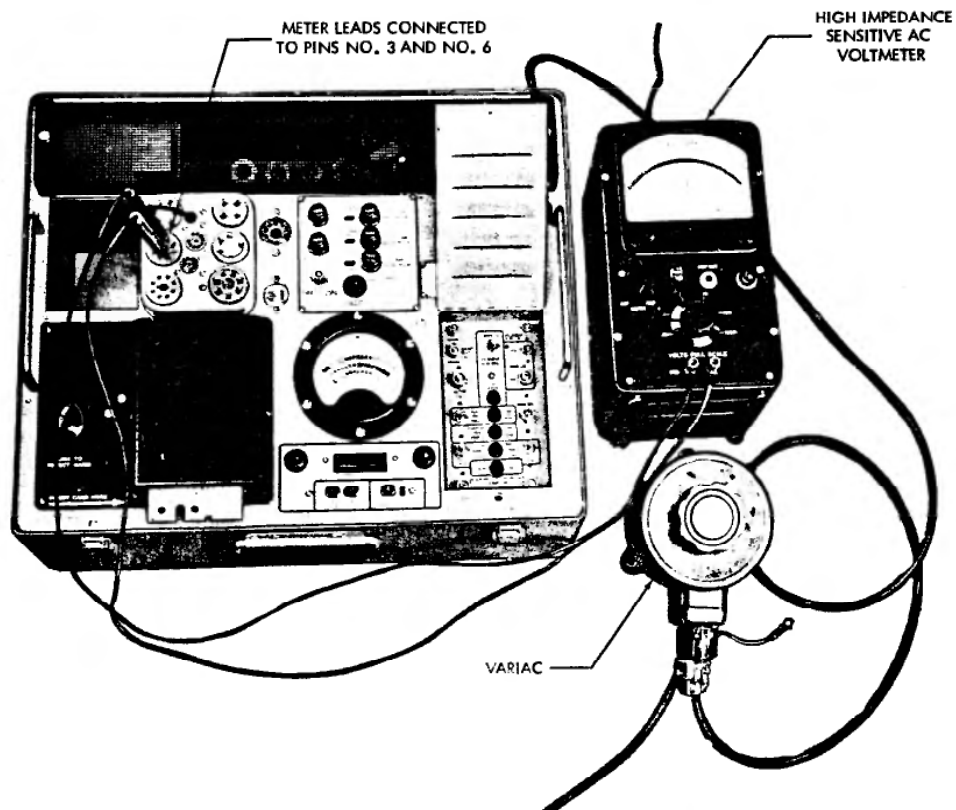


Figure 13 - Signal Regulation and Amplitude Check

- b. While holding down button #2, vary the line voltage from 105 to 125 volts. Note reading indicated on the vacuum tube voltmeter. The indicated voltage at 105 and 125 should be identical and should not vary more than 1% from the indicated voltage at 115 volts line. If the circuit is not regulating as specified, adjust the SIGNAL CAL REGULATION control and vary the line voltage to attain the desired regulation.
- c. After the signal regulation is properly adjusted, set the exact signal level of 0.222 volts rms by adjusting the SIGNAL CAL AMPLITUDE control.

6.04 Filament Standardization Adjust.

a. Method One.

Connect the instrument to the power line thru a Variac. Turn instrument on. Monitor the voltage delivered to the instrument with an AC voltmeter and adjust the Variac to deliver 115 V RMS.

Insert Card 12, FIL STD ADJUST.

Set the FILAMENT STD ADJ located in the auxiliary control compartment, to the NOM 115V position (white dot on knob lines up with dot on panel).

Press the FILAMENT STD ADJ push button. The meter should read half scale ± 1 division.

If correction is necessary adjust the FILAMENT STD CAL control located in the upper right corner of the control compartment, for proper indication

b. Method Two.

Connect the instrument to the power line and turn it on. Connect an AC voltmeter capable of accurately measuring 5 volts RMS to pins 3 and 6 on any convenient tube socket. (The Ballantine Model 300 or equivalent used for signal adjustments can also be used for this measurement.) See Figure 13.

Insert Card 12, FIL. STD. ADJ. into switch.

Set the FILAMENT STD ADJ knob so that the external AC voltmeter indicates 5 volts.

Press the FILAMENT STD ADJ push button. The tester meter should read half-scale ± 1 division.

If correction is necessary adjust the FILAMENT STD CAL control, located in the upper right corner of the control compartment, for proper indication.

6.05 Main B+ Power Supply

a. Feedback current adjust:

Remove the black perforated cover over the power supply tubes. Remove the 6CD6, V103, and the 6AW8A, V105, from their sockets. See Figure 14. Insert Card 13, FEEDBACK B PLUS.

WARNING: BE SURE TUBES ARE REMOVED BEFORE INSERTING CARD 13.

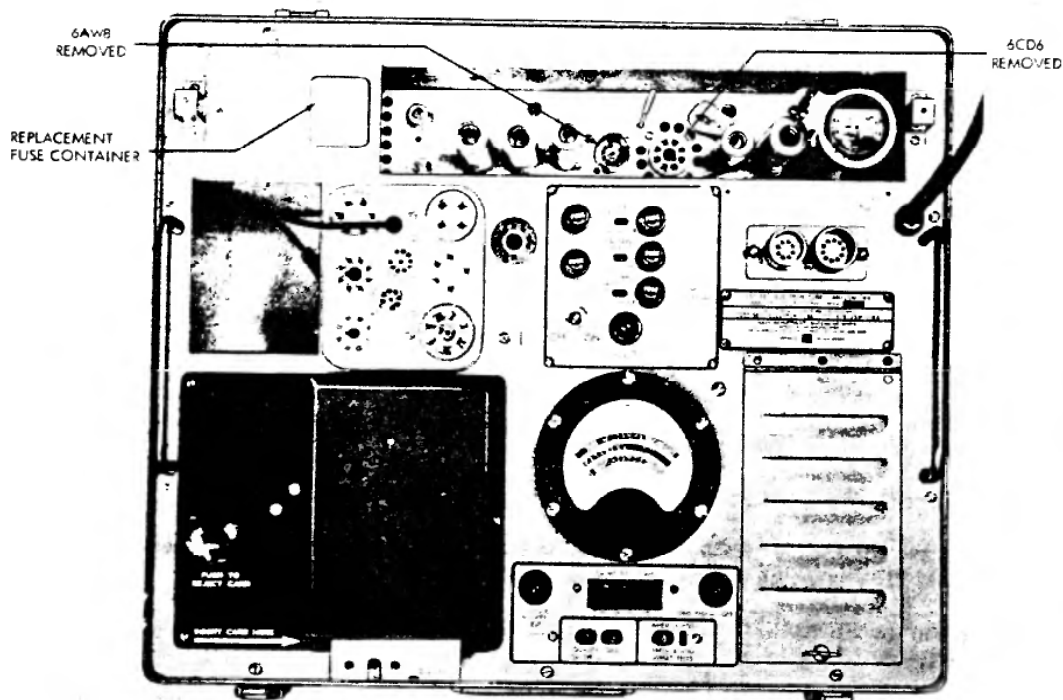


Figure 14 - B+ Power Supply Feed Back Current Test

Press button #2. The meter should read mid-scale (IMA feedback current.) If reading is not correct, adjust the FEEDBACK CURRENT ADJ. control, R123, located on the power supply chassis, for proper indication.

After proper adjustment - REMOVE CARD 13 FROM THE CARD SWITCH BEFORE RETURNING THE 6CD6 AND 6AW8A TO THEIR PROPER SOCKETS.

Insert Card #8, MAIN B PLUS CAL. Press button #2 and check for a mid-scale reading. Readjust the MAIN B+ CAL control if necessary.

b. Series Regulator Screen Voltage Adjustment.

Insert Card 14, 6CD6 SCR. ADJUST. Press button #2. The meter reading should be approximately mid-scale. While holding down button #2, slowly rotate the SCR. ADJ. control, R109 (located on the power supply chassis) counter-clockwise until the meter indication just starts to drop from its normal mid-scale position. Then turn the control clockwise just enough to restore the mid-scale reading and leave it at this setting.

C. Trouble Shooting Procedure

6.06 General

As stated earlier the AN/USM-118A is equipped with self-calibrating features. The calibration program cards also greatly simplify the troubleshooting of the tester. The

following procedures will aid in isolating defective parts in various circuits in this equipment.

6.07 Line Power

The AN/USM-118B Tester is designed to operate from a 105-125 volt, 50-400 cps power source.

If the PILOT light does not light when the tester is connected to a proper power source and the ON-OFF switch is held in the ON position, check the following components:

- (a) Line fuses - F102 and F103
- (b) PILOT lamp - DS107
- (c) ON-OFF switch - S105
- (d) Power transformer - T101

If the tester turns on when the ON-OFF switch is thrown, but turns off when the switch is released to the center position, check the following components.

- (a) ON-OFF switch - S105
- (b) Relay - K101
- (c) Transistor - Q2
- (d) Bridge Rectifier - CR103, CR104, CR105, CR106
- (e) Resistor - R171 for adequate base drive to Q2

6.08 Short Test Circuit and Negative & Positive Bias Supplies

The 300 volt supply necessary for the short test circuit (see section 5.16, Fig. 11) is obtained from the combination of a +150 volt source and a -150 volt source. These same sources are also used individually for positive and negative bias supplies and other uses (see Sections 5.27 and 5.28). If any of the cards from card 2 thru card 7 give an improper indication, the trouble is likely to be in one of these two supplies. The trouble can be isolated in the following manner:

Measure the voltage from pin 7 of the OA2WA, V108, to pin 3 of the 6AU8, V107. This should be approximately 300 volts. If this reading is correct, and if any of cards 2, 3, 4, or 5 cannot be adjusted to operate properly as instructed in Section 3.07, the difficulty is in the short test circuit. This includes neons DS301 thru DS305, resistors R303 thru R316 and R135, and capacitors C301 thru C306 (schematic Sheet 3).

If the 300 volt reading is correct, and card 6, FIXED BIAS CAL NEG, gives an improper indication, check resistors R150 and R151 and potentiometer R149.

If the 300 volt reading is correct, and card 7, FIXED BIAS CAL POS, gives an improper indication, check resistor R131, potentiometer R136, and capacitor C110.

If the voltage reading as directed above is not approximately 300 volts, the difficulty is in the individual power supplies and can be located by checking for proper voltage and resistance values as listed in the power supply voltage and resistance chart (Figure 20).

6.09 GM Bridge Balance

The adjustments on the GM bridge are set using cards 9 and 10 as instructed in Section 3.10. If proper adjustment cannot be made, or if other test results indicate that the GM measuring circuit is at fault, the GM bridge should be checked. This includes the diamond-shaped network in the center of schematic sheet 2, along with the associated fuse circuit.

The operation of the GM bridge is presented in Section 5.39. Check the components

of this network for proper characteristics, and check the power transformer T101 between taps 18 and 19, for 10 volts RMS.

6.10 Signal Regulation

The signal bridge adjustments are set using card 11 as instructed in Section 6.03. If proper adjustment cannot be made, check the components of the signal bridge circuit, including resistors R153, R154, and R156, potentiometers R152 and R155 and the #47 lamps DS109 and DS110. Also check the power transformer T101 for the proper voltage (10 volts RMS) between taps 20 and 21.

6.11 Main B+ Power Supply Tracking.

Insert Cards 15A thru 22A successively into the card switch. Push button #2. The meter reading should be within the tolerances listed in the table below.

During these tests an accurate DC voltmeter (20,000 ohms per volt, Hickok Model 456, or equivalent) may be connected to pins 3 and 6 on any convenient socket as shown in Figure 15. The voltage readings on the external meter should be as follows:

<u>Card #</u>	<u>TESTER INDICATION</u>	<u>INDICATED VOLTAGE</u>	<u>COMPONENT</u>
15A	50 ± 5 div.	10 ± 10%	R238 10K 1%
16A	50 ± 2 div.	20 ± 3%	R239 20K 1%
17A	50 ± 2 div.	20 ± 3%	R240 20K 1%
18A	50 ± 2 div.	60 ± 3%	R237 62K 1%
19A	50 ± 2 div.	110 ± 3%	R236 52K 1%
20A	50 ± 2 div.	160 ± 3%	R235 52K 1%
21A	50 ± 2 div.	210 ± 3%	R234 52K 1%
22A	50 ± 2 div.	260 ± 3%	

following procedures will aid in isolating defective parts in various circuits in this equipment.

6.07 Line Power

The AN/USM-118A Tester is designed to operate from a 105-125 volt, 50-400 cps power source.

If the PILOT light does not light when the tester is connected to a proper power source and the ON-OFF switch is held in the ON position, check the following components:

- (a) Line fuses - F102 and F103
- (b) PILOT lamp - DS107
- (c) ON-OFF switch - S105
- (d) Power transformer - T101

If the tester turns on when the ON-OFF switch is thrown, but turns off when the switch is released to the center position, check the following components.

- (a) Bridge rectifier - CR103
- (b) Resistor - R158
- (c) Relay - K101
- (d) ON-OFF switch - S105

6.08 Short Test Circuit and Negative & Positive Bias Supplies

The 300 volt supply necessary for the short test circuit (see section 5.16, Fig. 11) is obtained from the combination of a +150 volt source and a -150 volt source. These same sources are also used individually for positive and negative bias supplies and other uses (see Sections 5.27 and 5.28). If any of the cards from card 2 thru card 7 give an improper indication, the trouble is likely to be in one of these two supplies. The trouble can be isolated in the following manner:

Measure the voltage from pin 7 of the OA2WA, V108, to pin 3 of the 6AU8, V107. This should be approximately 300 volts. If this reading is correct, and if any of cards 2, 3, 4 or 5 cannot be adjusted to operate properly as instructed in Section 3.07, the difficulty is in the short test circuit. This includes neons DS301 thru DS305, resistors R303 thru R316 and R135, and capacitors C301 thru C306 (schematic Sheet 3)

If the 300 volt reading is correct, and card 6, FIXED BIAS CAL NEG, gives an improper indication, check resistors R150 and R151 and potentiometer R149.

If the 300 volt reading is correct, and card 7, FIXED BIAS CAL POS, gives an improper indication, check resistor R131, potentiometer R136, and capacitor C110.

If the voltage reading as directed above is not approximately 300 volts, the difficulty is in the individual power supplies and can be located by checking for proper voltage and resistance values as listed in the power supply voltage and resistance chart (Figure 20).

6.09 GM Bridge Balance

The adjustments on the GM bridge are set using cards 9 and 10 as instructed in Section 3.10. If proper adjustment cannot be made, or if other test results indicate that the GM measuring circuit is at fault, the GM bridge should be checked. This includes the diamond-shaped network in the center of schematic sheet 2, along with the associated fuse circuit.

The operation of the GM bridge is presented in Section 5.39. Check the components

of this network for proper characteristics, and check the power transformer T101 between taps 18 and 19 for 10 volts RMS.

6. 10 Signal Regulation

The signal bridge adjustments are set using card 11 as instructed in Section 6. 03. If proper adjustment cannot be made, check the components of the signal bridge circuit, including resistors R153, R154 and R156, potentiometers R152 and R155 and the #47 lamps DS109 and DS110. Also check the power transformer T101 for the proper voltage (10 volts RMS) between taps 20 and 21.

6. 11 Main B+ Power Supply Tracking.

Insert Cards 15 thru 22 successively into the card switch. Push button #2. The meter should indicate mid-scale ± 2 divisions in each case.

During these tests an accurate DC voltmeter (20,000 ohms per volt, Hickok Model 456, or equivalent) may be connected to pins 3 and 6 on any convenient socket as shown in Figure 15. The voltage readings on the external meter should be as follows:

Card #	Indicated Voltage	Component	
15	10	R238	10K $\pm 1\%$
16	20	R239	20K $\pm 1\%$
17	20	R240	20K $\pm 1\%$
18	60	R237	62K $\pm 1\%$
19	110	R236	52K $\pm 1\%$
20	160	R235	52K $\pm 1\%$
21	210	R234	52K $\pm 1\%$
22	260		

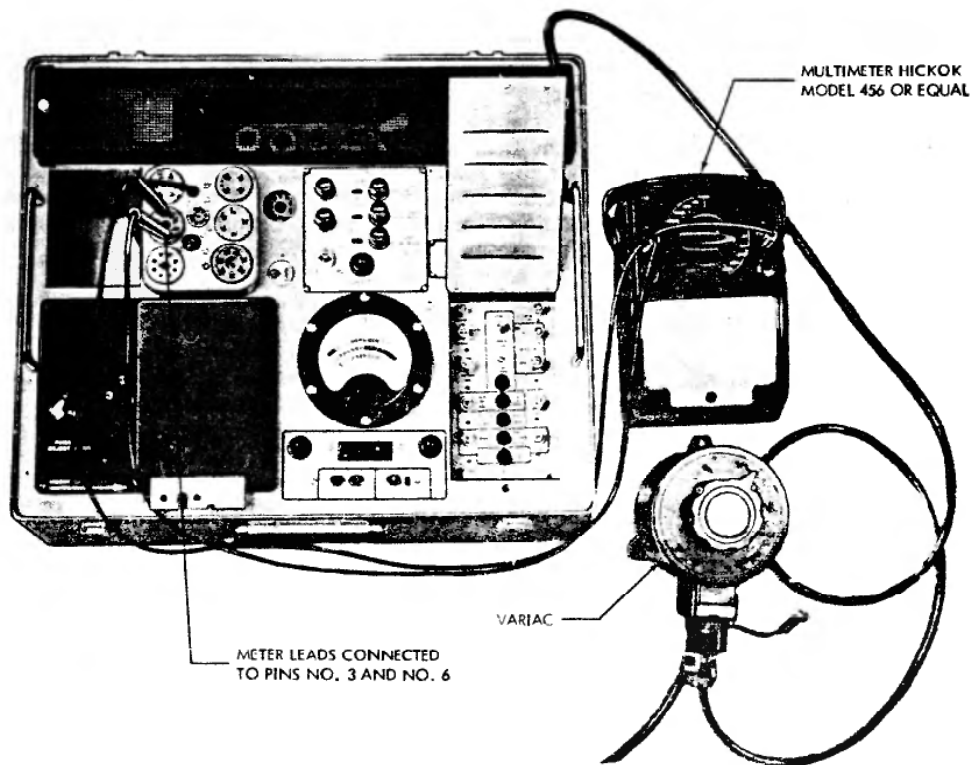


Figure 15 - Checking Main B+ Power Supply With the Aid of an External Meter

If the readings are not within the tolerances listed in the table, the associated resistor listed in the component column should be checked for proper value.

If the readings are improper on the tester meter while the external meter indicates proper tracking, check the meter shunts and multipliers (see Meter Circuits Checks, paragraph 6.15).

If the readings are incorrect on both the tester meter and the external meter, check tubes V103, 6CD6; V105, 6AW8A (both sections); and V108, OA2WA. Also check for proper voltage and resistance values as listed in the power supply voltage and resistance chart (Figure 20).

6.12 Main B+ Power Supply Regulation

Connect the tube tester to the power line through a Variac set to 115 volts. Insert card 23, MAIN B+ REG. Press button #2. The tester meter should read mid-scale ± 2 divisions. Note the exact readings, then check the readings at 105 and 125 line voltages. These readings should not vary more than ± 1 division from the 115 volt indication.

Reset Variac for 105 volt line. Again note reading indicated on meter (150 volts at 1.5ma load). The meter indication should not vary more than 1 division from the 1.5ma load (button #2 only) to the 140 ma load (button #2 and #4).

If circuits are not regulating properly, check tubes V103, 6CD6; V105, 6AW8A, (both sections); and V108, OA2WA. Also check for proper voltage and resistance values as listed in the Power Supply Voltage and Resistance Chart, (Figure 20).

6.13 D. C. Filament - Cathode Activity Checks

To check the operation of the D. C. Filament and the Cathode Activity circuits use the following procedure:

Insert Card 24, DC FIL-CATH ACT., into card switch. The left short lamp should light.

Standardize the filament supply with the FILAMENT STD. ADJ.

Press button #2. This permits the tester meter (set at 10 volts F.S.) to monitor the D. C. filament supply voltage under load (5 volts at 500ma load). The meter should read mid-scale ± 3 divisions.

If reading is out of tolerance, check the D. C. filament rectifiers CR201, CR202, CR203, and CR204.

Hold down button #2 and press the CATH ACT switch located in the auxiliary control compartment. This increases by 10% the number of windings used for the primary side of the filament transformer. The meter reading should drop 5 divisions. If the meter reading does not drop approximately 5 divisions, check the filament transformer T102 for a short between taps No. 34 and No. 35.

6.14 Auxiliary B+ Power Supply

Connect the tester to the power line through a Variac. Insert Card 25, AUX B+ REG, in card switch. Short lamps 1, 2, 3, and 5 should light.

Supply Range: Press the AUX B+ ADJ button in auxiliary control compartment. This

If the readings are not mid-scale ± 2 divisions on the tester meter and not within 3% plus meter tolerance on the external meter, the associated resistor listed in the component column should be checked for proper value.

If the readings are improper on the tester meter while the external meter indicates proper tracking, check the meter shunts and multipliers (See Meter Circuits Checks, paragraph 6. 11).

If the readings are incorrect on both the tester meter and the external meter, check tubes V103, 6CD6; V105, 6AW8A (both sections); and V108, OA2WA. Also check for proper voltage and resistance values as listed in the power supply voltage and resistance chart (Figure 20).

6. 12 Main B+ Power Supply Regulation

Connect the tube tester to the power line through a Variac set to 115 volts. Insert Card 23, MAIN B PLUS REG. Press button #2. The tester meter should read mid-scale ± 2 divisions. Note the exact readings, then check the readings at 105 and 125 line voltages. These readings should not vary more than ± 1 division from the 115 volt indication.

Reset Variac for 105 volt line. Again note reading indicated on meter (150 volts at 1.5 MA load). While holding down button #2, press button #4 (150 volts at 140 MA load). The meter indication should not vary more than 1 division from the 1.5 MA load (button 2 only) to the 140 MA load (button #2 and #4.)

If circuits are not regulating properly check tubes V103, 6CD6; V105, 6AW8A, (both sections), and V108, OA2WA. Also check for proper voltage and resistance values as listed in the Power Supply Voltage and Resistance chart, (Figure 20.)

6. 13 D. C. Filament - Cathode Activity Checks

To check the operation of the D.C. Filament and the Cathode Activity circuits use the following procedure:

Insert Card 24, DC FIL-CATH ACT., into card switch. The left short lamp should light.

Standardize the filament supply with the FILAMENT STD. ADJ.

Press button #2. This permits the tester meter (set at 10 volts F. S.) to monitor the D. C. filament supply voltage under load (5 volts at 500 MA load). The meter should read mid-scale ± 3 div.

If reading is out of tolerance check the D. C. filament rectifiers CR-201, CR-202, CR-203 and CR-204.

Hold down button #2 and press the CATH ACT switch located in the auxiliary control compartment. This increases by 10% the number of windings used for the primary side of the filament transformer. The meter reading should drop 5 divisions. If the meter reading does not drop approximately 5 divisions, check the filament transformer T102 for a short between taps No. 34 and No. 35.

6. 14 Auxiliary B+ Power Supply

Connect the tester to the power line through a Variac. Insert Card 25, AUX B PLUS REG, in card switch. Short lamps 1, 2, 3 and 5 should light.

Supply Range: Press the AUX B+ ADJ button in auxiliary control compartment. This

permits the tester meter (set at 300 volts F. S.) to monitor the voltage output of the AUX B+ Supply. Rotate the associated control knob in the auxiliary control panel thru its complete range. The tester meter indication should vary from approximately 10 on the scale to at least full scale. (Some overswing is permissible at both ends of the control adjustment).

Voltmeter Circuit: While still pressing the AUX B+ ADJ. button set the control to give a mid-scale reading on the meter. Release the AUX B+ ADJ. button and press button #2. The meter should read mid-scale ± 2 division. This is a check of the auxiliary B+ supply metering circuit which is separate from the main metering circuits. If the reading is out of tolerance, check R-320, 3 megohm $\pm 1\%$.

Line Regulation: While holding down button #2 vary the line voltage from 115 to 125 then to 105. The meter readings at 105 and 125 volts should not vary more than ± 3 divisions from the reading at 115 volts line.

Load Regulation: Set line voltage at 105 volts. Push button #2. Note the reading on the meter (it should still be at mid-scale, from the previous steps). This is a 150 volt indication at a low output current. While holding button #2, press button #4. The meter will indicate the output voltage with rated output current being drawn from the supply. The deviation between the two readings should not exceed ± 3 divisions.

If indications during the above tests are not proper, check V106, 6203, V104, 6CL and V107B, 6AU8 pentode section. Also check voltage and resistances at tube socket against values listed in the voltage and resistance chart.

If desired a 20,000 ohms per volt meter (Hickok Model 456 or equivalent) may be connected from pin 3 (+) to pin 6 (-) on any convenient socket to externally monitor the same output voltage being measured on the tester meter.

6.15 Meter Circuit Checks

The first test in Routine Calibration, together with the Trouble Shooting procedure listed below, form complete tests of the basic meter sensitivity, the meter shunts and the meter multipliers.

Each of these tests is designed to check a particular "primary component". However, additional components are also used in the test circuit and are "secondary components" in each test.

The following table lists the test card number, function, the primary component number and values, and the secondary components involved. When a number of tests give improper readings a comparison of the primary and secondary components involved will help isolate the defective part. Questionable parts can then be checked with a resistance bridge or an accurate ohmmeter. In each of the following tests insert the proper card in the switch press button #2. The meter should read mid-scale ± 2 divisions.

<u>Card No.</u>	<u>Primary Component</u>	<u>Secondary Components</u>
	Meter Shunts	
26	R207, $1280\Omega \pm 1\%$	R206, R215, R216, R218, R226, R270, R241
27	R208, $640\Omega \pm 1\%$	R206, R216, R-219, R223, R224, R225
28	R209, $320\Omega \pm 1\%$	R206, R217, R220, R222, R-223
29	R210, $160\Omega \pm 1\%$	R206, R216, R221, R225
30	R211, $80\Omega \pm 1\%$	R206, R215, R216, R219, R226
31	R212, $40\Omega \pm 1\%$	R206, R215, R216, R218, R220, R221
32	R213, $20\Omega \pm 1\%$	R206, R216, R219, R223, R225, R241
33	R214, $10\Omega \pm 1\%$	R206, R219, R224, R241
	Meter Multipliers	
34	R206, $25,344\Omega \pm 1\%$	
35	R241, $1067\Omega \pm 1\%$	R206
36	R230, $100K \pm 1\%$	

6.16 Decade Resistor Checks

The following tests are similar to the Meter Circuit checks listed above except that the decade resistors are the "Primary Components". The "Secondary Components" involved are also listed.

- a. Procedure for test cards 37 through 40:

Insert proper card into card switch, the left three short lamps should light. Press the FILAMENT STD ADJ. push button and set FILAMENT STD. ADJ switch for mid-scale indication on the tester meter. Press button #2, meter should read mid-scale ± 2 divisions.

<u>Card No.</u>	<u>Primary Component</u>	<u>Secondary Component</u>
37	R218, 10 $\Omega \pm 1\%$	R206, R210, R213, R214
38	R217, 20 $\Omega \pm 1\%$	Same as card 35
39	R216, 30 $\Omega \pm 1\%$	Same as card 35
40	R215, 40 $\Omega \pm 1\%$	Same as card 35

b. Procedure for test cards 41 and 42:

Insert proper test card into card switch. The left three short lamps should light. Press the FILAMENT STD ADJ push button and set FILAMENT STD ADJ switch for mid-scale indication on the tester meter. Press button #2. The tester meter should indicate mid-scale ± 2 divisions.

<u>Card No.</u>	<u>Primary Component</u>	<u>Secondary Component</u>
41	R219, 100 $\Omega \pm 1\%$	R206, R210, R213, R214
42	R220, 200 $\Omega \pm 1\%$	R206, R210, R213, R214

c. Procedure for test cards 43 through 48:

Insert proper test card. The extreme left short lamp should light. Press button #2. Read mid-scale ± 2 divisions.

<u>Card No.</u>	<u>Primary Component</u>	<u>Secondary Component</u>
43	R221, 300 $\Omega \pm 1\%$	R206, R208, R209, R210, R211, R212
44	R222, 400 $\Omega \pm 1\%$	R206, R207, R208, R209, R210, R212
45	R226, 1000 $\Omega \pm 1\%$	R206, R207, R208, R211
46	R225, 2000 $\Omega \pm 1\%$	R206, R207, R208, R209, R213, R214
47	R224, 3000 $\Omega \pm 1\%$	R206, R209, R214, R241
48	R223, 4000 $\Omega \pm 1\%$	R206, R207, R208, R212, R213, R241

d. Procedure for test Cards 49 thru 51 is the same as above except tolerance is mid-scale ± 4 divisions.

<u>Card No.</u>	<u>Primary Component</u>	<u>Secondary Components</u>
49	R227 & R231 in parallel 10K $\pm 5\%$	R207, R208, R213, R214
50	R228, 20K $\pm 5\%$	R207, R208, R209, R210, R211, R213
51	R229, 30K $\pm 5\%$	R208, R209, R210, R211, R212

6. 17 Main B+ Protection

The tester meter and the main B+ supply are protected against overloads by means of a slave relay protective circuit whose primary components are a line slave relay K101 and reedrelay K102. (See Section 5. 21 and Figure 15A). Cards 52A and 53A are used to check out part of this circuit as follows:

Insert Card 52A B+ PROTECTION, NO GO. Short lamps 1 and 2 should light. Press button #2. This applies a heavy load to the main B+ supply. The load is not excessive and should not shut off the tester.

Insert Card 53A B+ PROTECTION, GO. Short lamps 1 and 2 should glow. Press button #2. This applies an excessive load to the main B+ supply. The tester should shut off.

If either of these cards does not operate correctly, check reedrelay K102, capacitor C111 and resistor R160.

6. 18 Slave Relay Protective Circuit

If the tester shuts off after the tubes heat up and will not remain on after again pressing the ON-OFF switch, the trouble may be in the slave relay protective circuit and can be located by the following procedure:

While pressing the ON-OFF switch S105 in the ON position, check the voltage across the slave relay operating coil K101. This should be about 3 volts D. C. If this voltage is not present, the coil of the relay is probably being shorted out by a reedrelay K102, or diode CR107. Also check transistor Q2, and resistor R167.

The operating coil of reedrelay K102 is in the plate circuit of the 6CD6, V103, and therefore all main B+ current must pass through this coil. Any faulty conditions in the power supply which cause the current to be excessive will close the reedrelay contacts and short out the slave relay K101. The power supply voltage and resistance chart, Figure 20A, can be helpful in locating this type of trouble.

D. Miscellaneous Adjustment Procedures

6. 19 Adjustment of upper micro switch

The microswitch is adjusted at the factory prior to shipment, consequently adjustment should not be attempted unless absolutely necessary. There are two ways in which to properly adjust the micro switch. The first procedure requires two 1/8" diameter pins, but is more accurate than the second procedure.

W A R N I N G

High Voltage is present across upper micro switch terminals. Disconnect line cord from power source before adjustment.

Figure 15A

NAVSHIPS 93883

AN/USM-118B
MAINTENANCE

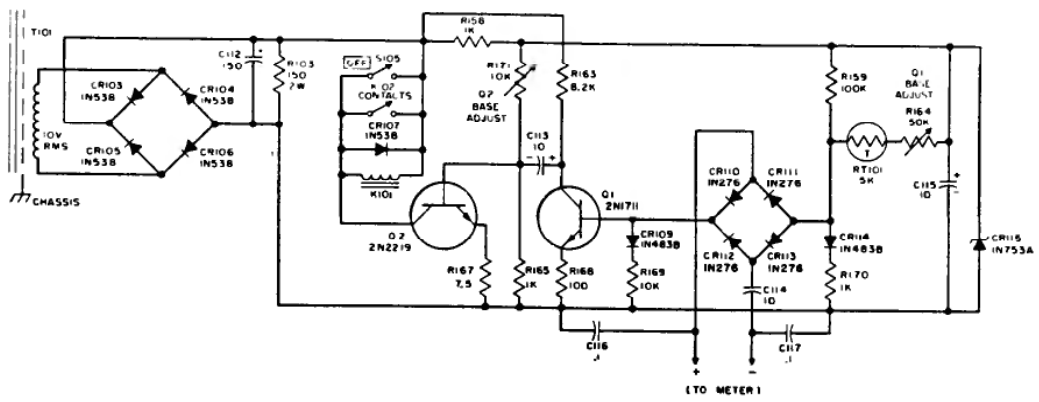


Figure 15A. Protection Circuit

6. 17 Main B+ Protection

The tester meter and the main B+ supply are protected against overloads by means of a slave relay protective circuit whose primary components are a line slave relay K101 and two reedrelays K102 and K104. (See Section 5. 21 and Figure 16). Cards 52A and 53A are used to check out part of this circuit as follows:

Insert Card 52A B+ PROTECTION, NO GO. Short lamps 1 and 2 should light. Press button #2. This applies a heavy load to the main B+ supply. The load is not excessive and should not shut off the tester.

Insert Card 53A B+ PROTECTION, GO. Short lamps 1 and 2 should glow. Press button #2. This applies an excessive load to the main B+ supply. The tester should shut off.

If either of these cards does not operate correctly, check reedrelay K102, capacitor C111 and resistor R160.

6. 18 Slave Relay Protective Circuit

If the tester shuts off after the tubes heat up and will not remain on after again pressing the ON-OFF switch, the trouble may be in the slave relay protective circuit and can be located by the following procedure:

While pressing the ON-OFF switch S105 in the ON position, check the voltage across the slave relay operating coil K101. This should be about 3 volts D.C. If this voltage is not present, the coil of the relay is probably being shorted out by a reedrelay K102 or K104 (See Figure 16).

The operating coil of reedrelay K102 is in the plate circuit of the 6CD6, V103, and therefore all main B+ current must pass through this coil. Any faulty conditions in the power supply which cause the current to be excessive will close the reedrelay contacts and short out the slave relay K101. The power supply voltage and resistance chart (Figure 20) can be helpful in locating this type of trouble.

Reedrelay K104 contains 2 coils. One of these is a hold coil which is energized at all times by means of the -150 volt supply. The current in this coil is maintained slightly less than that necessary to close the reedrelay contacts. If the -150 volt supply is operating incorrectly and allowing a voltage more negative than -150 volts, this may cause the reedrelay K104 contacts to close. This trouble also can be found by using the voltage and resistance chart (Figure 20).

D. Miscellaneous Adjustment Procedures

6. 19 Adjustment of upper micro switch

The microswitch is adjusted at the factory prior to shipment, consequently adjustment should not be attempted unless absolutely necessary. There are two ways in which to properly adjust the micro switch. The first procedure requires two 1/8" diameter pins, but is more accurate than the second procedure.

W A R N I N G

High Voltage is present across upper micro switch terminals. Disconnect line cord from power source before adjustment.

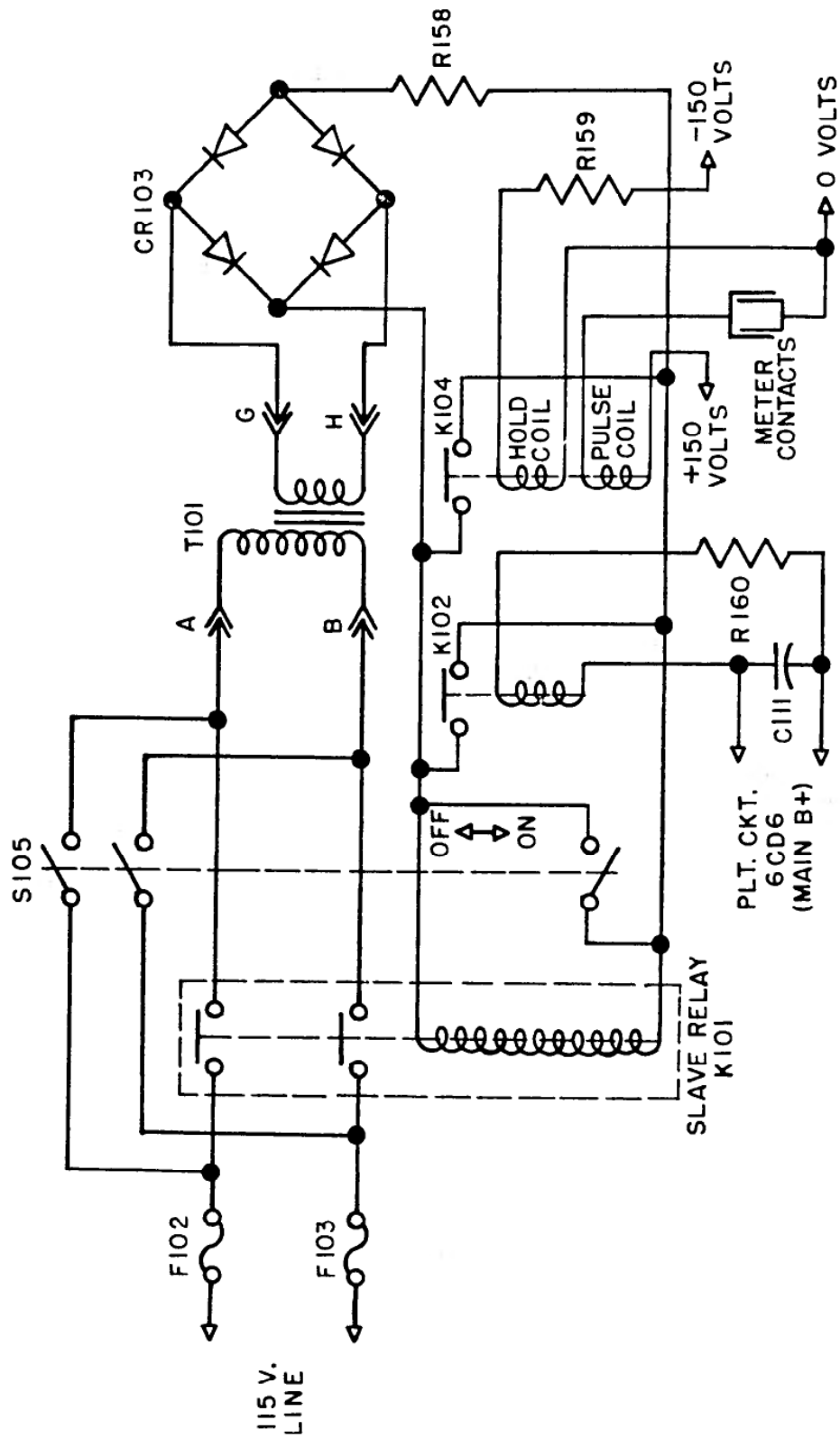


Figure 16 - Slave Relay Protective Circuit

a. First Procedure:

1. Remove card switch cover and insert non-test code card into card switch.
2. Insert two .125 inch diameter (1/8 inch diameter) pins or drill shanks into the switch plate holes A-1 and L-1 to retain the code card. (See figure 19).

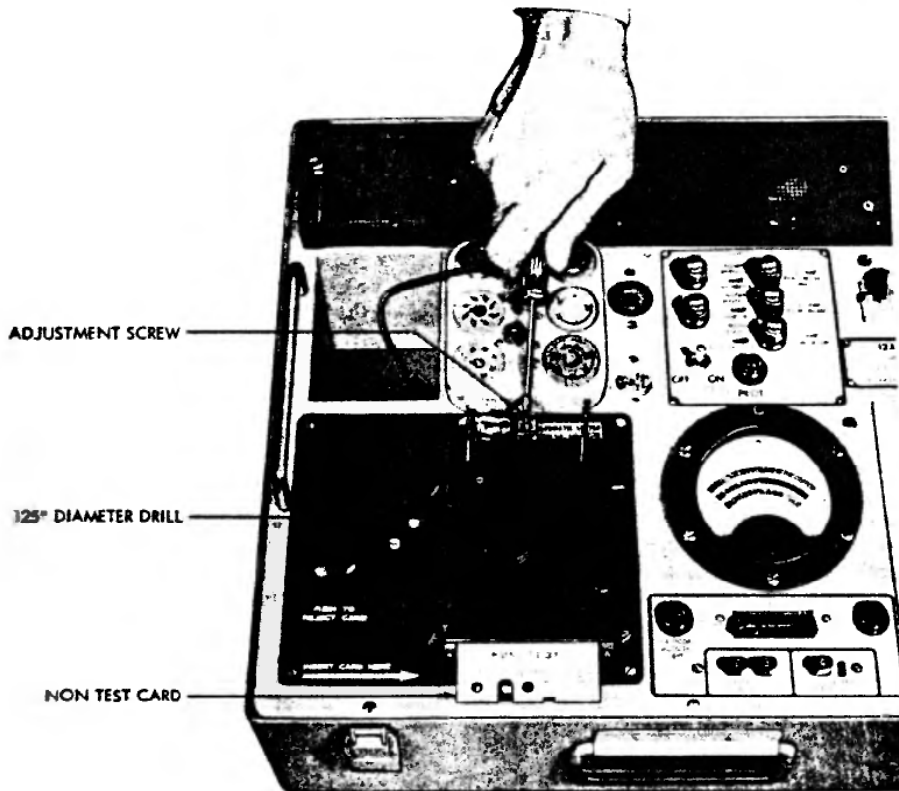


Figure 17 - Adjustment of Upper Micro Switch

3. Gently pull on the code card to remove all clearance between the two pins and holes A-1 and L-1 in the code card.

4. Adjust the micro switch inward (toward the card switch) with the adjustment screw (see Figure 17) until the micro switch actuates (an audible CLICK can be heard).

5. Reverse direction of the adjustment screw and move the micro switch out until it de-actuates (an audible CLICK will be heard). Approximately 1/2 turn of the adjustment screw will be necessary to de-activate a properly operating microswitch.

6. Connect tester to power source and press ON switch. Retest the action of the switch with the code card. Replace the card switch cover.

b. Second Procedure:

1. Remove card switch cover and insert code card into card switch.
2. Observe the code card holes through the row 1 holes in the top switch plate. The code card material should just disappear (.005 inch) at the top of the row 1 switch

plate holes when the micro switch actuates (an audible CLICK will be heard). If adjustment is necessary, turn the adjustment screw. (See figure 19) until alignment is correct.

3. Connect the tester to power source and press ON switch. Retest the action of the switch with the code card. Replace the card switch cover.

6.20 Adjustment of Contact Pins

If code card will not come out of card switch when reject knob is pressed, a contact pin has moved above its normal position and is projecting through a hole in code card. Correct as follows:

- a. Disconnect power source line cord. Remove switch cover.
- b. Inspect tops of contact pins to see if one or more has moved above normal position. Use probe and carefully push pin or pins down until they clear code card.
- c. Connect power source line cord and press ON switch. Reactivate card switch several times with same code card. Card must slide out each time reject knob is pressed.

E. Miscellaneous Parts Replacement

6.21 Replacement of Parts. The replacement instructions contained herein are limited to high mortality parts which are in some way unusual in installation. When trouble shooting procedures reveal defective parts and replacement is necessary, every effort must be made to duplicate original condition of equipment. Recalibrate tube tester after replacement of parts to assure accuracy of tube test readings.

6.22 Replacement of Tubes. Exercise care when removing or installing electron tubes to assure high quality performance from associated circuits. Observe handling precautions which are common to all vacuum tubes.

6.23 Replacement of Diodes. The diodes (CR401, CR402, CR403 and CR404 (Schematic Sheet 2), mounted on the terminal board are either matched pairs or all four are matched together and must be replaced as matched units. They shall be physically mounted in the same manner as those which are removed. Note direction of arrow printed on diodes and position replacement part in identical relationship to terminals.

C A U T I O N

Do not overheat diodes during soldering operation. Hold lead wire with pliers positioned between diode body and point being soldered.

6.24 Replacement of Upper Micro-Switch. (See figure 18). Unsolder leads from terminals on micro-switch. Remove nuts, washers and screws securing micro-switch to bracket. Remove microswitch. Exercise care not to lose small actuating pin in card switch. Install new micro-switch in reverse order of removal procedure.

6.25 Replacement of Lower Micro Switch. Remove screws and spacers securing terminal board to card switch. Lift terminal board away from card switch to gain access to lower micro switch. Unsolder leads to micro switch terminals. Remove nuts, washers, screws and defective micro switch. Position new micro switch in place and install it in reverse order of removal procedure. Check to see that switch actuating screw engages micro switch as required when card-reject knob is pressed. If adjustment is required, loosen lock nut, make adjustment, and retighten lock nut.

6. 26 Replacement of CardSwitch Solenoid. (See Figure 19). Unsolder leads to terminals on solenoid. Disengage spring from clip on plunger and remove cotter pin and clip. Remove screws from face of panel and disengage solenoid from solenoid actuating arm. Install new solenoid and reconnect associated parts in the reverse order of removal.

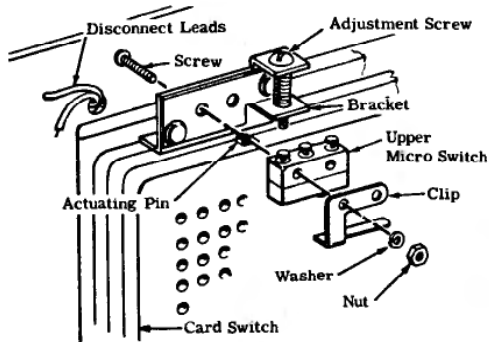


Figure 18 - Replacement of Upper Micro Switch

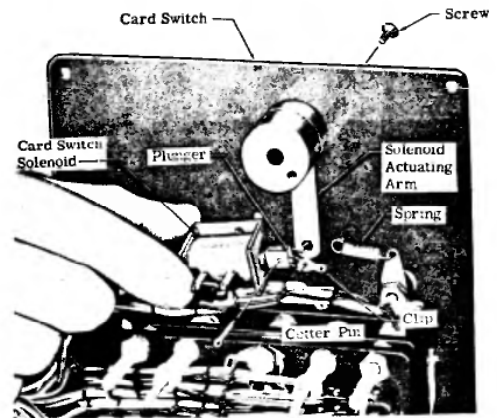


Figure 19 - Replacing Card Switch Solenoid

6. 27 Figures 22 through 31 have been provided to aid in the location of components.

Figure
20 and 20A

AN/USM-118A-B
MAINTENANCE

VOLTAGE AND RESISTANCE MEASUREMENTS - AN/USM-118A-B

- Note 1. Insert test card #23 in card switch. Press the AUX B+ ADJ Button and adjust the AUX B+ supply for mid-scale meter reading.
 Note 2. All voltages measured with VTVM and are DC unless otherwise indicated. Zero voltage reference point is pin 1 of OA2 socket.

TUBE	SOCKET PIN NO.								
	1	2	3	4	5	6	7	8	9
6AU8	0 (0Ω)	-2 (3MΩ)	150.0 (70KΩ)	3.1 AC (0Ω)	3.1 AC (0Ω)	-86.0 (40KΩ)	-87.0 (160KΩ)	-28.0 (115KΩ)	97.0 (10MΩ)
6CL6	150.0 (650KΩ)	100.0 (10MΩ)	405.0 (95KΩ)	150.0 (650KΩ)	150.0 (650KΩ)	405.0 (95KΩ)	150.0 (650KΩ)	NC	NC
OA2WA	0 (0Ω)	NC	NC	-150.0 (34KΩ)	NC	NC	-150.0 (34KΩ)	--	--
6AW8 A	-99 (50KΩ)	-100 (63KΩ)	0 (0Ω)	3.1 AC (0Ω)	3.1 AC (0Ω)	-100.0 (60KΩ)	-100.0 (70KΩ)	-55.0 (60KΩ)	121.0 (600KΩ)
6CD6	NC	156.0 (80KΩ)	150.0 (80KΩ)	NC	121.0 (580KΩ)	NC	150.0 (80KΩ)	275.0 (Infinity Ω)	--
6C4WA	400.0 (95KΩ)	NC	150.0 (80KΩ)	150.0 (80KΩ)	400.0 (95KΩ)	260.0 (350KΩ)	275.0 (Infinity Ω)	--	--
6203	305.0 AC (73Ω)	NC	150.0 (660KΩ)	150.0 (660KΩ)	NC	--	406.0 (100KΩ)	--	305.0 AC (73Ω)
5U4 GB	NC	370.0 (510KΩ)	NC	260.0 AC (67Ω)	NC	260.0 AC (67Ω)	NC	370.0 (510KΩ)	--

Figure 20. Voltage and Resistance Data AN/USM-118A

TUBE	SOCKET PIN NUMBER								
	1	2	3	4	5	6	7	8	9
6AU8 V107	0 (0Ω)	-2 (3 M Ω)	150.0 (70 KΩ)	3.1 AC (0Ω)	3.1 AC (0Ω)	-86.0 (40KΩ)	-87.0 (160KΩ)	-28.0 (115 KΩ)	97.0 (10 MΩ)
6CL6 V104	150.0 (650 KΩ)	100.0 (10 MΩ)	405.0 (95 KΩ)	150.0 (650 KΩ)	150.0 (650 KΩ)	405.0 (95 KΩ)	150.0 (650 KΩ)	NC	NC
OA2WA V108	0 (0 Ω)	NC	NC	-150.0 (34 KΩ)	NC	NC	-150.0 (34 KΩ)	-----	-----
6AW8A V105	-99 (58 KΩ)	-100 (63 KΩ)	0 (0 Ω)	3.1 AC (0 Ω)	3.1 AC (0 Ω)	-99.0 (58 KΩ)	-100.0 (70 KΩ)	-55.0 (60 KΩ)	121.0 (680 KΩ)
6CD6 V103	NC	150.0 (80 KΩ)	150.0 (80 KΩ)	NC	121.0 (580 KΩ)	NC	150.0 (80 KΩ)	275.0 (Infinity Ω)	-----
6C4WA V102	400.0 (95 KΩ)	NC	150.0 (80 KΩ)	150.0 (80 KΩ)	400.0 (95 KΩ)	260.0 (350 KΩ)	275.0 (Infinity Ω)	-----	-----
6203 V106	292.0 AC (73 Ω)	NC	NC	150.0 (650 KΩ)	150.0 (650 KΩ)	-----	406.0 (100 KΩ)	-----	292.0 AC (73 Ω)
5U4GB V101	NC	356.0 (510 KΩ)	NC	260.0 AC (67 Ω)	NC	260.0 AC (67 Ω)	NC	356.0 (510 KΩ)	-----

Figure 20A. Voltage and Resistance Data AN/USM-118B

CALIBRATION AND MAINTENANCE TEST CARDS

CARD	1	METER
CARD	2	SHORT 2 MEG NO GO
CARD	3	SHORT 1 MEG GO
CARD	4	SHORT 20 MEG NO GO
CARD	5	SHORT 10 MEG GO
CARD	6	FIXED BIAS CAL NEG
CARD	7	FIXED BIAS CAL POS
CARD	8	MAIN B+ CALIB
CARD	9	GM BAL LOW IB
CARD	10	GM BAL HI IB
CARD	11	SIG REG AND AMPL
CARD	12	FIL. STAND. ADJ.
CARD	13	FEED BACK B+
CARD	14A	6CD6 SCRNB ADJ.
CARD	15A	MAIN B+ 10V
CARD	16A	MAIN B+ 20V
CARD	17A	MAIN B+ 20V
CARD	18A	MAIN B+ 60V
CARD	19A	MAIN B+ 110V
CARD	20A	MAIN B+ 160V
CARD	21A	MAIN B+ 210V
CARD	22A	MAIN B+ 260V
CARD	23	MAIN B+ REG.
CARD	24	DC FIL-CATH ACT.
CARD	25	AUX B+ REG.
CARD	26	METER SHUNT 1280 Ω
CARD	27	METER SHUNT 640 Ω
CARD	28	METER SHUNT 320 Ω
CARD	29	METER SHUNT 160 Ω
CARD	30	METER SHUNT 80 Ω
CARD	31	METER SHUNT 40 Ω
CARD	32	METER SHUNT 20 Ω
CARD	33	METER SHUNT 10 Ω
CARD	34	METER MULT 25340 Ω
CARD	35	METER MULT 1070 Ω
CARD	36	METER MULT 100K Ω
CARD	37	DECADE RES. 10 Ω
CARD	38	DECADE RES. 20 Ω
CARD	39	DECADE RES. 30 Ω
CARD	40	DECADE RES. 40 Ω
CARD	41	DECADE RES. 100 Ω
CARD	42	DECADE RES. 200 Ω
CARD	43	DECADE RES. 300 Ω
CARD	44	DECADE RES. 400 Ω
CARD	45	DECADE RES. 1000 Ω
CARD	46	DECADE RES. 2000 Ω
CARD	47	DECADE RES. 3000 Ω
CARD	48	DECADE RES. 4000 Ω
CARD	49	DECADE RES. 10K Ω
CARD	50	DECADE RES. 20K Ω
CARD	51	DECADE RES. 30K Ω
CARD	52A	RELAY NO GO
CARD	53A	RELAY DC GO

Figure 20B. List of Calibration & Test Cards Furnished

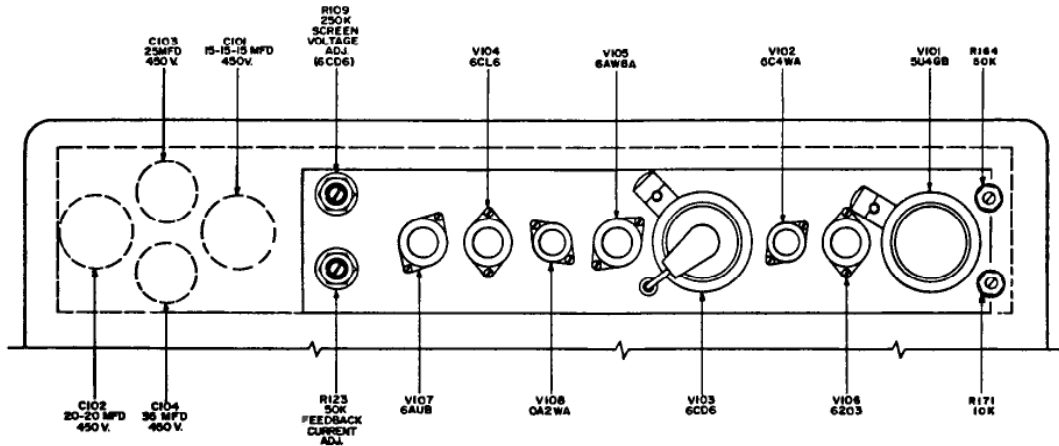


Figure 20C. Location of Tubes, Controls and Filter Condensers

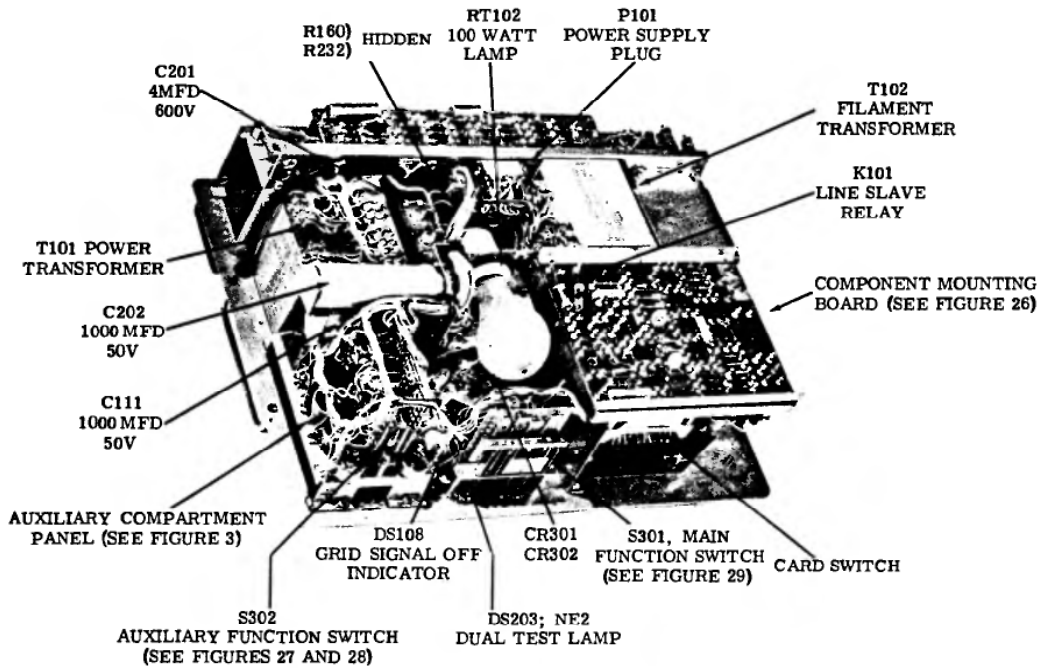


Figure 20D. Assembly Identification and Miscellaneous Parts

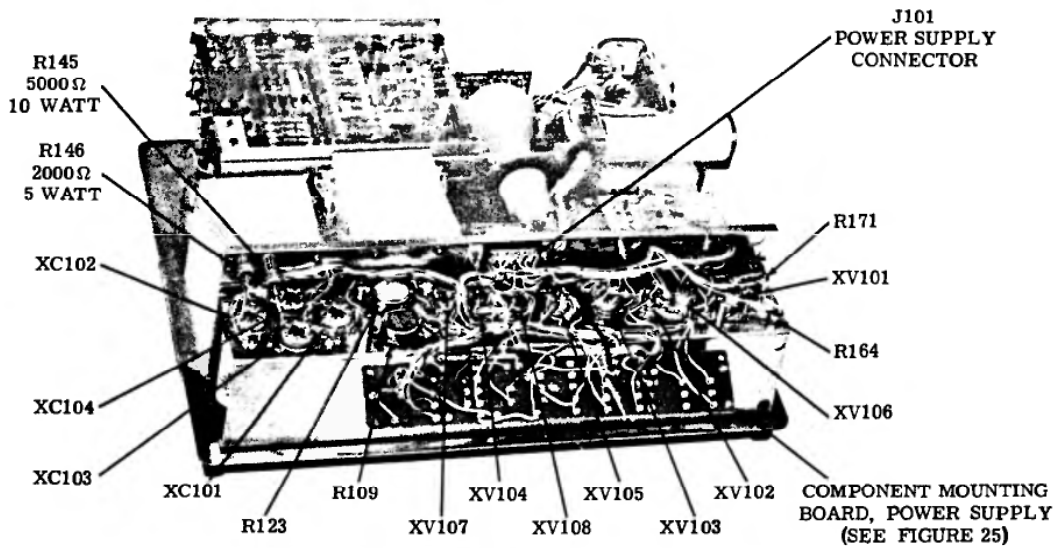


Figure 20E. Power Supply Component Location

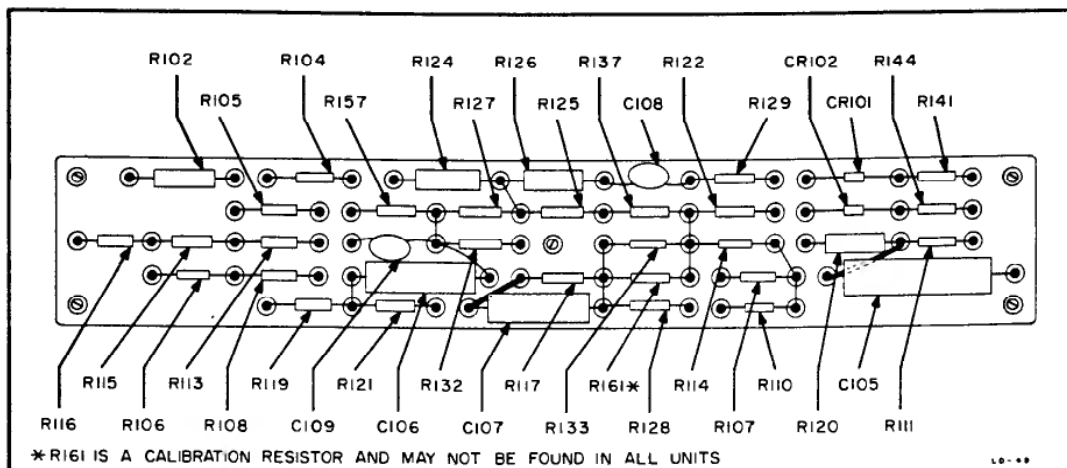


Figure 20F. Power Supply Component Board

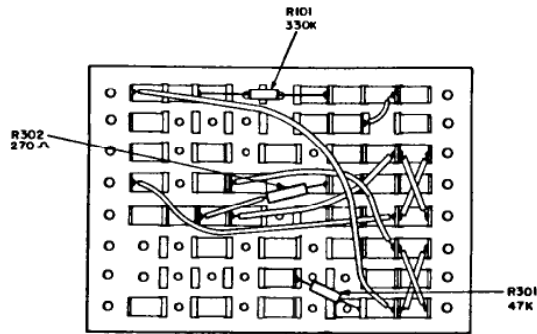


Figure 20G. Main Function Switch

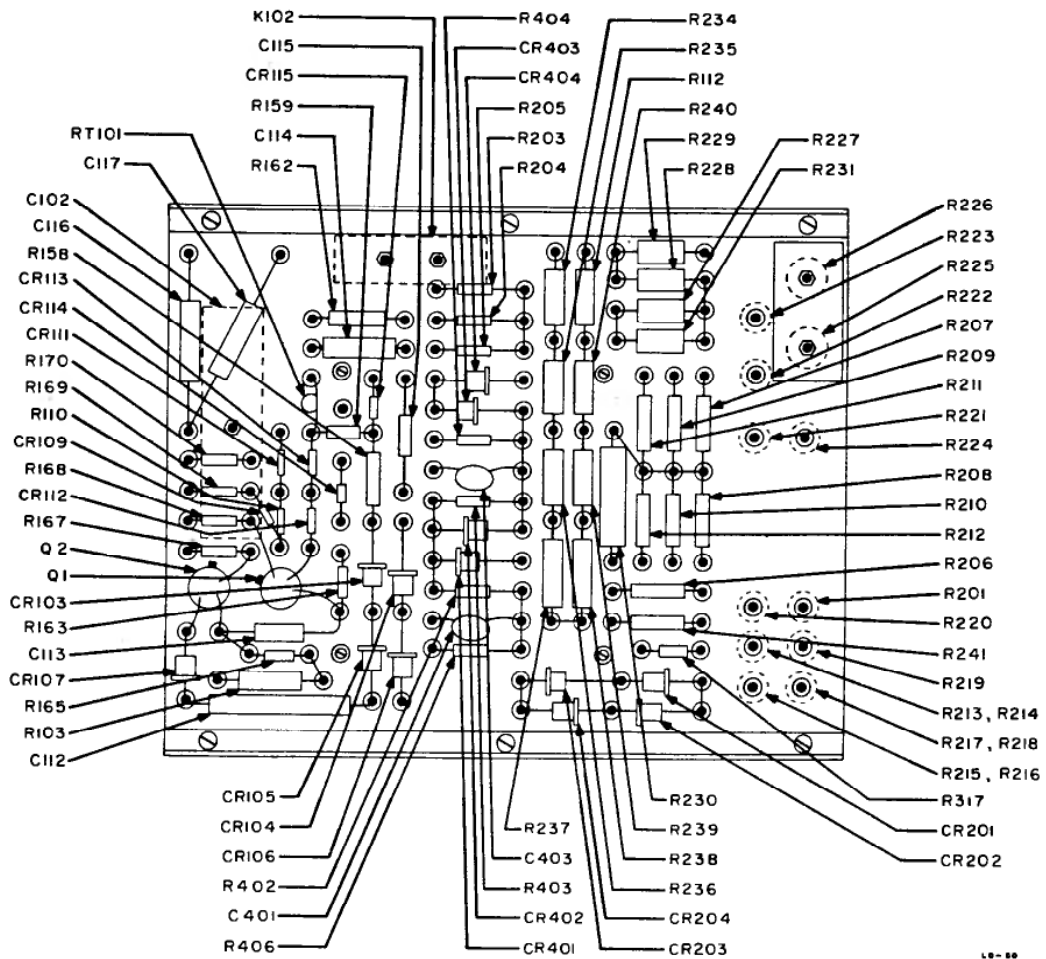


Figure 20H. Card Switch Component Mounting Board

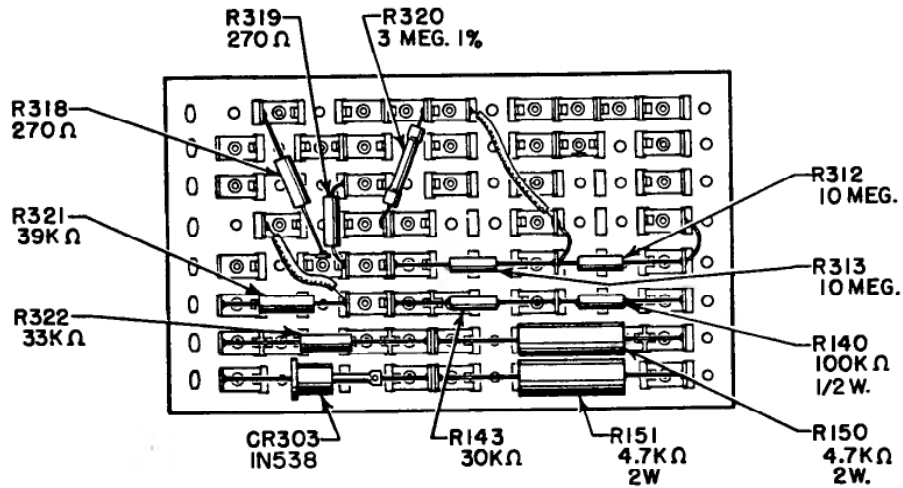


Figure 20I. Auxiliary Function Switch - Outside View

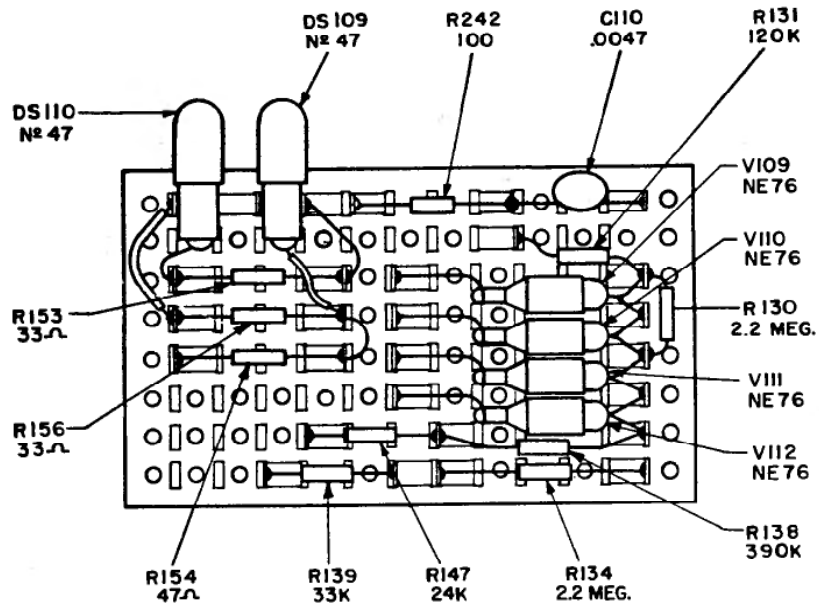


Figure 20J. Auxiliary Function Switch - Inside View

CALIBRATION AND MAINTENANCE TEST CARDS

CARD 1 METER
 CARD 2 SHORTS 2 MEG NO GO
 CARD 3 SHORTS 1 MEG GO
 CARD 4 SHORTS 20 MEG NO GO
 CARD 5 SHORTS 10 MEG GO
 CARD 6 FIXED BIAS CAL NEG
 CARD 7 FIXED BIAS CAL POS
 CARD 8 MAIN B PLUS CALIB
 CARD 9 GM BAL LOW IB
 CARD 10 GM BAL HI IB
 CARD 11 SIG REG AND AMPL
 CARD 12 FIL. STAND. ADJUST
 CARD 13 FEEDBACK B PLUS
 CARD 14A 6CD6 SCR N ADJUST
 CARD 15 MAIN B PLUS 10 V
 CARD 16 MAIN B PLUS 20 V
 CARD 17 MAIN B PLUS 20 V
 CARD 18 MAIN B PLUS 60 V
 CARD 19 MAIN B PLUS 110 V
 CARD 20 MAIN B PLUS 160 V
 CARD 21 MAIN B PLUS 210 V
 CARD 22 MAIN B PLUS 260 V
 CARD 23 MAIN B PLUS REG
 CARD 24 DC FIL-CATH ACT.
 CARD 25 AUX B PLUS REG.
 CARD 26 METER SHUNT 1280
 CARD 27 METER SHUNT 640
 CARD 28 METER SHUNT 320
 CARD 29 METER SHUNT 160
 CARD 30 METER SHUNT 80
 CARD 31 METER SHUNT 40
 CARD 32 METER SHUNT 20
 CARD 33 METER SHUNT 10
 CARD 34 METER MULT 25344
 CARD 35 METER MULT 1067
 CARD 36 METER MULT 100K
 CARD 37 DECADE RES. 10
 CARD 38 DECADE RES. 20
 CARD 39 DECADE RES. 30
 CARD 40 DECADE RES. 40
 CARD 41 DECADE RES. 100
 CARD 42 DECADE RES. 200
 CARD 43 DECADE RES. 300
 CARD 44 DECADE RES. 400
 CARD 45 DECADE RES 1000
 CARD 46 DECADE RES. 2000
 CARD 47 DECADE RES. 3000
 CARD 48 DECADE RES. 4000
 CARD 49 DECADE RES. 10K
 CARD 50 DECADE RES. 20K
 CARD 51 DECADE RES. 30K
 CARD 52A RELAY NO GO
 CARD 53A RELAY DC GO

Figure 21. List of Calibration & Test Cards Furnished

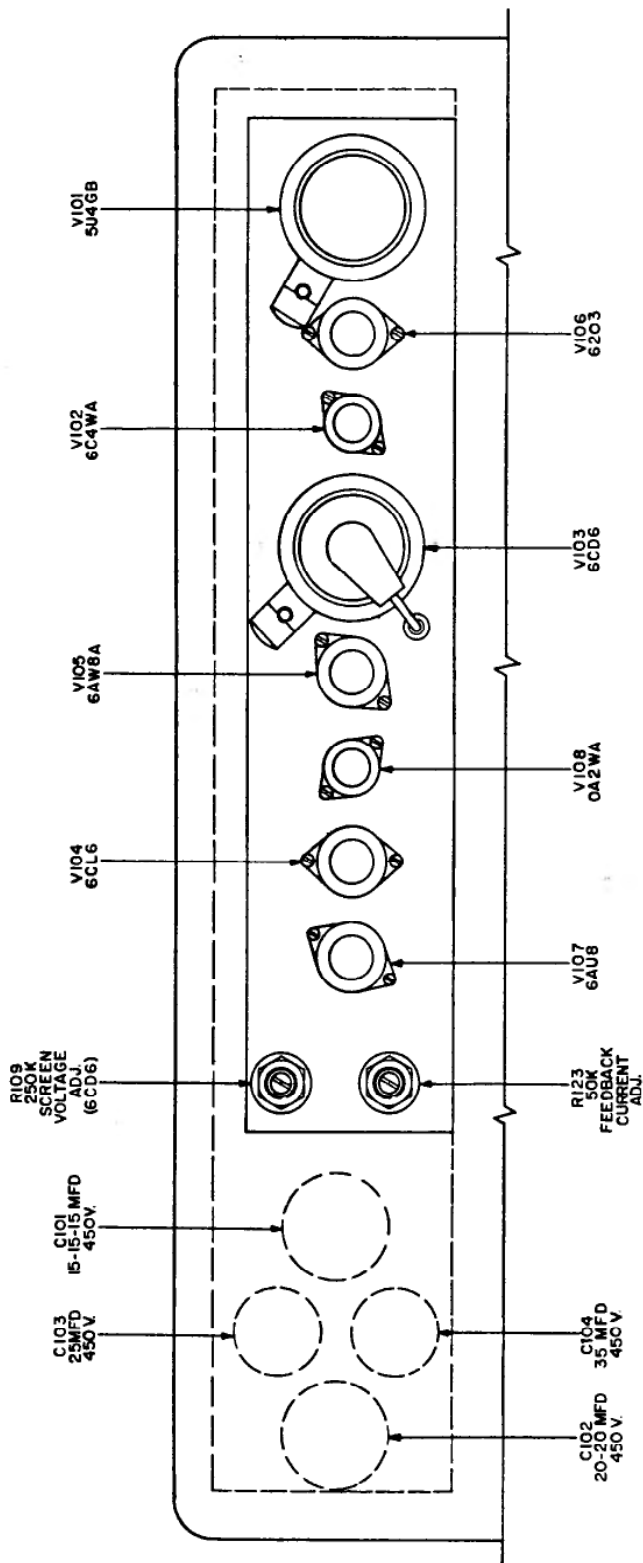


Figure 22 - Placement of Tubes, Controls and Filter Condenser

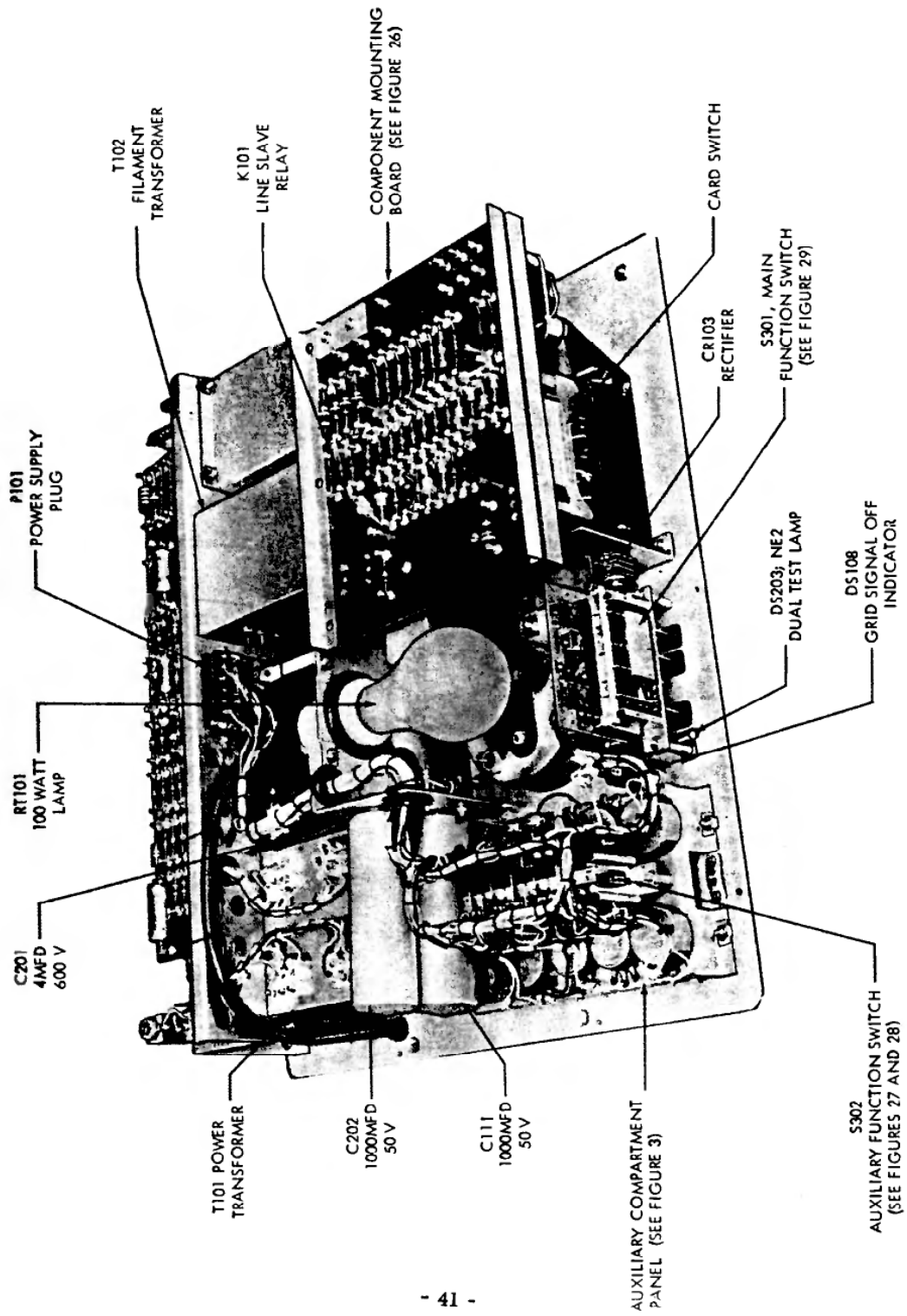


Figure 23 - Assembly Identification and Miscellaneous Parts

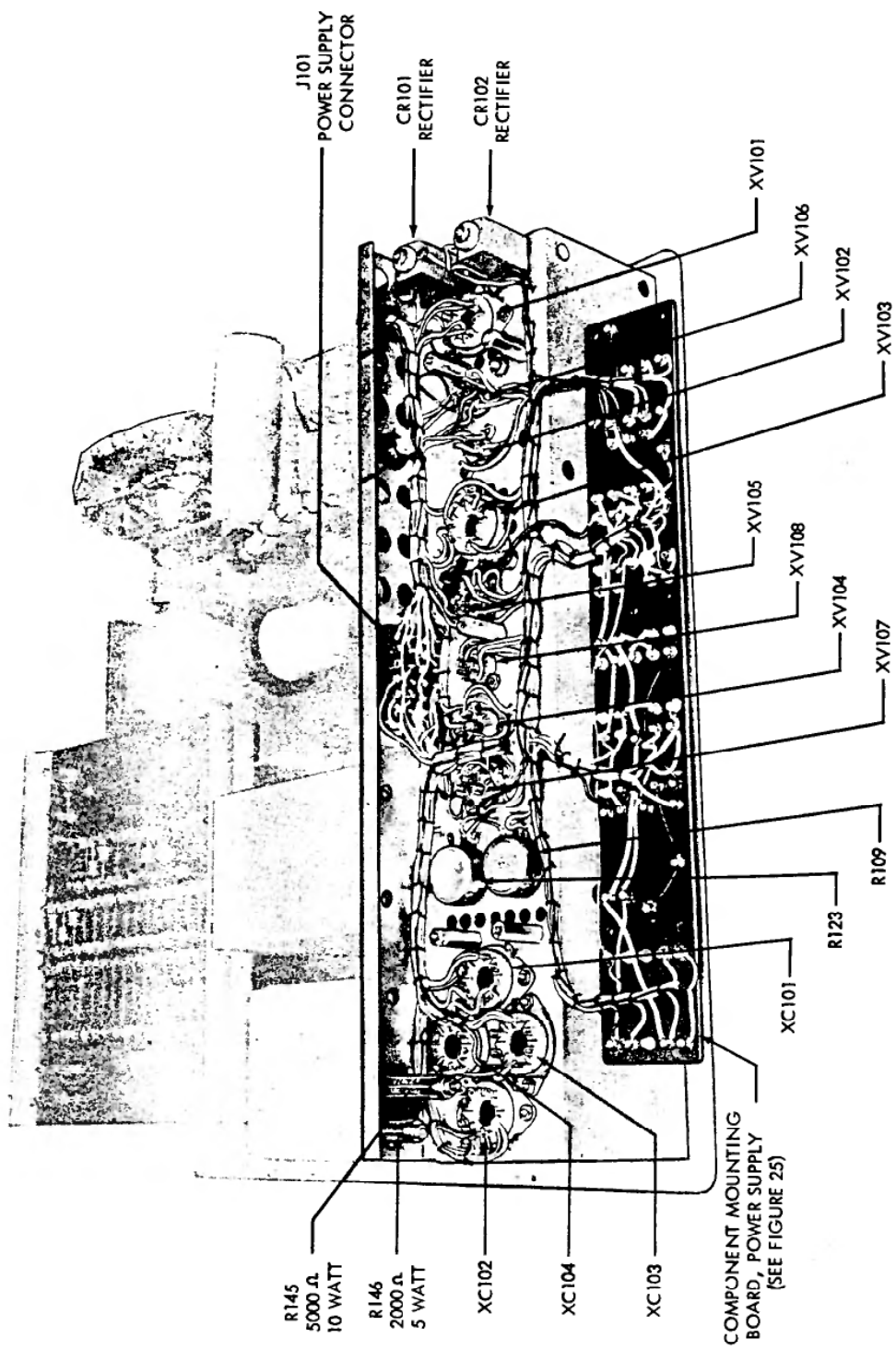


Figure 24 - Power Supply Component Location

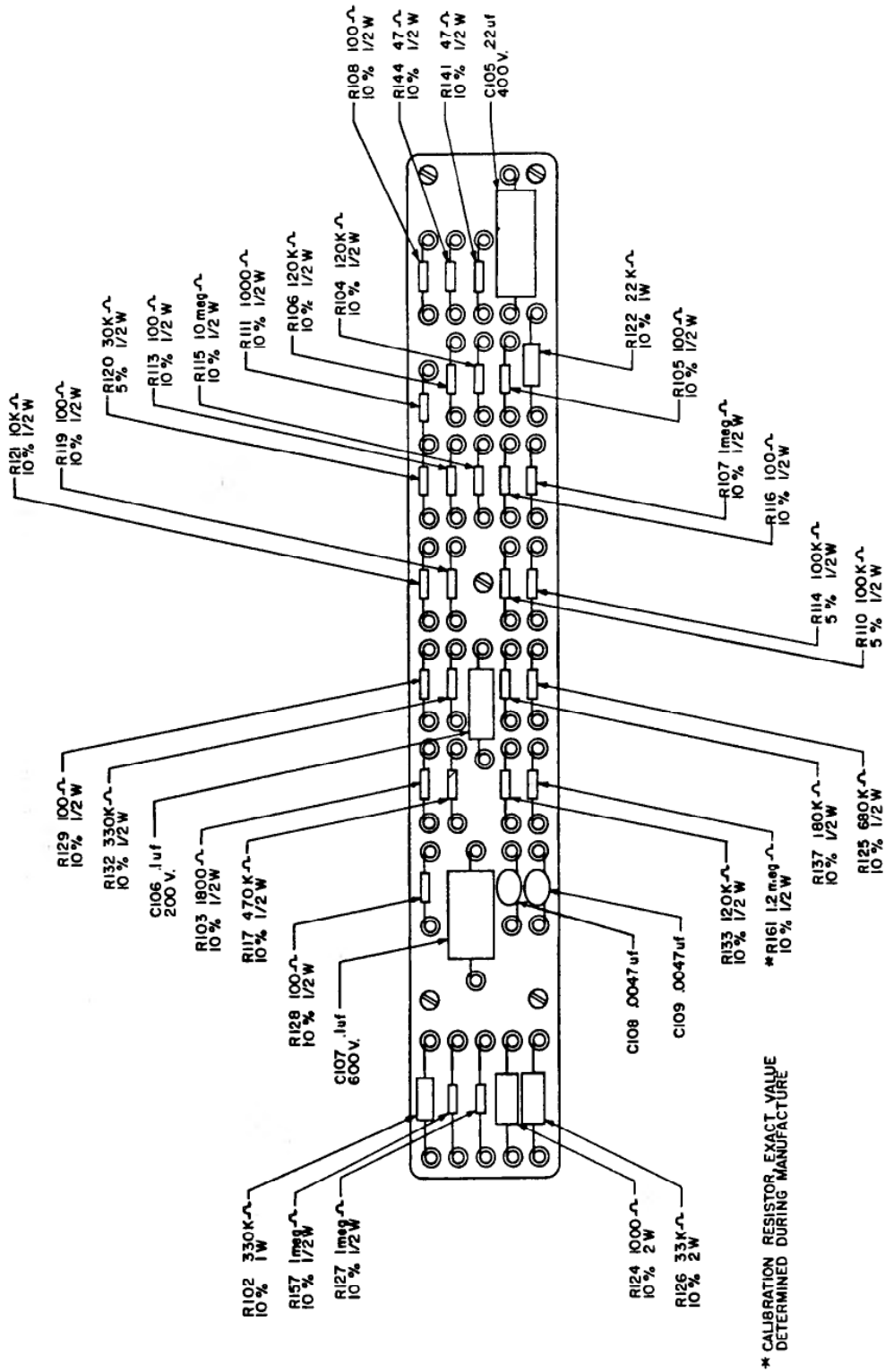


Figure 25 - Power Supply Component Board

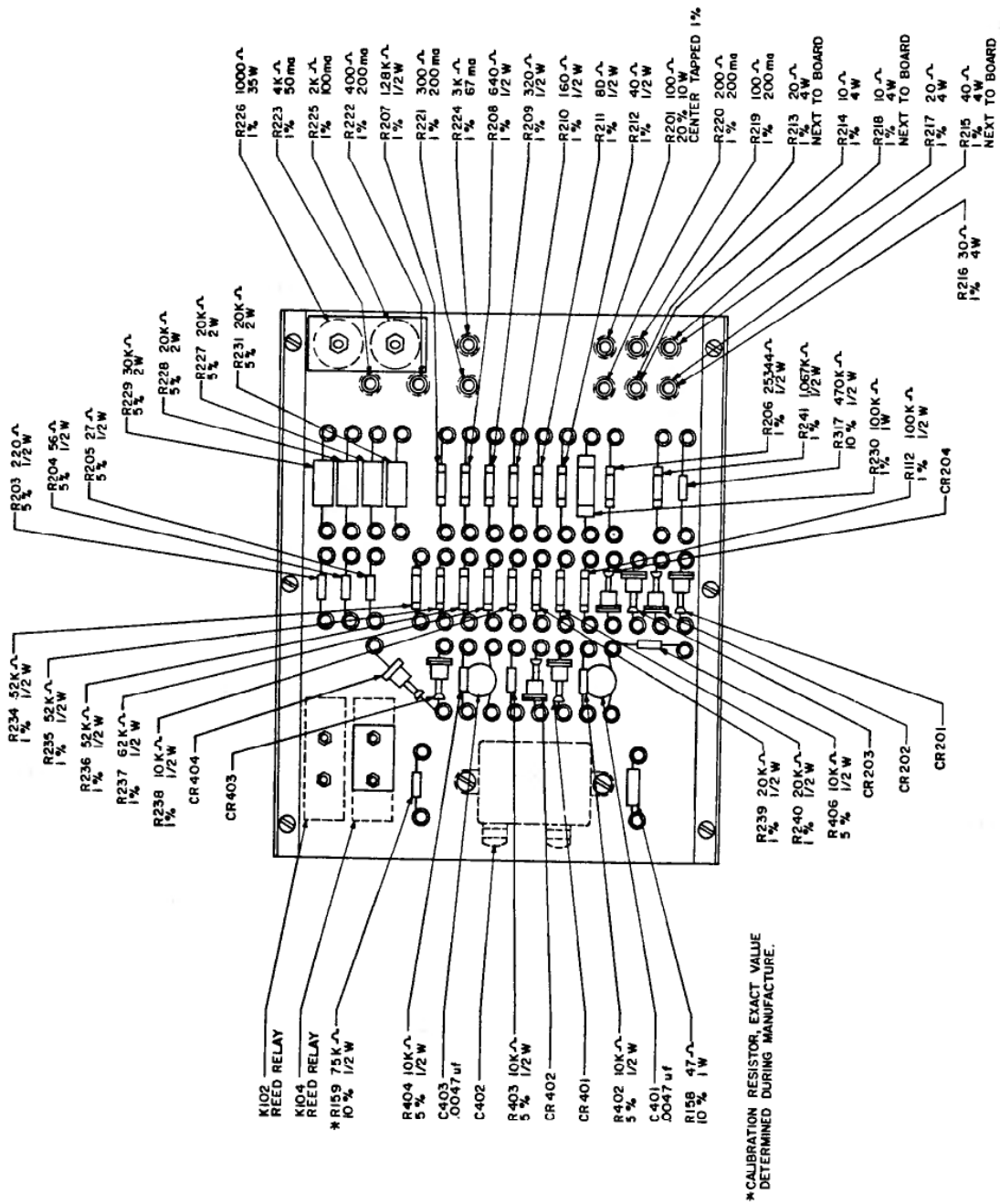


Figure 26 - Card Switch Component Mounting Board

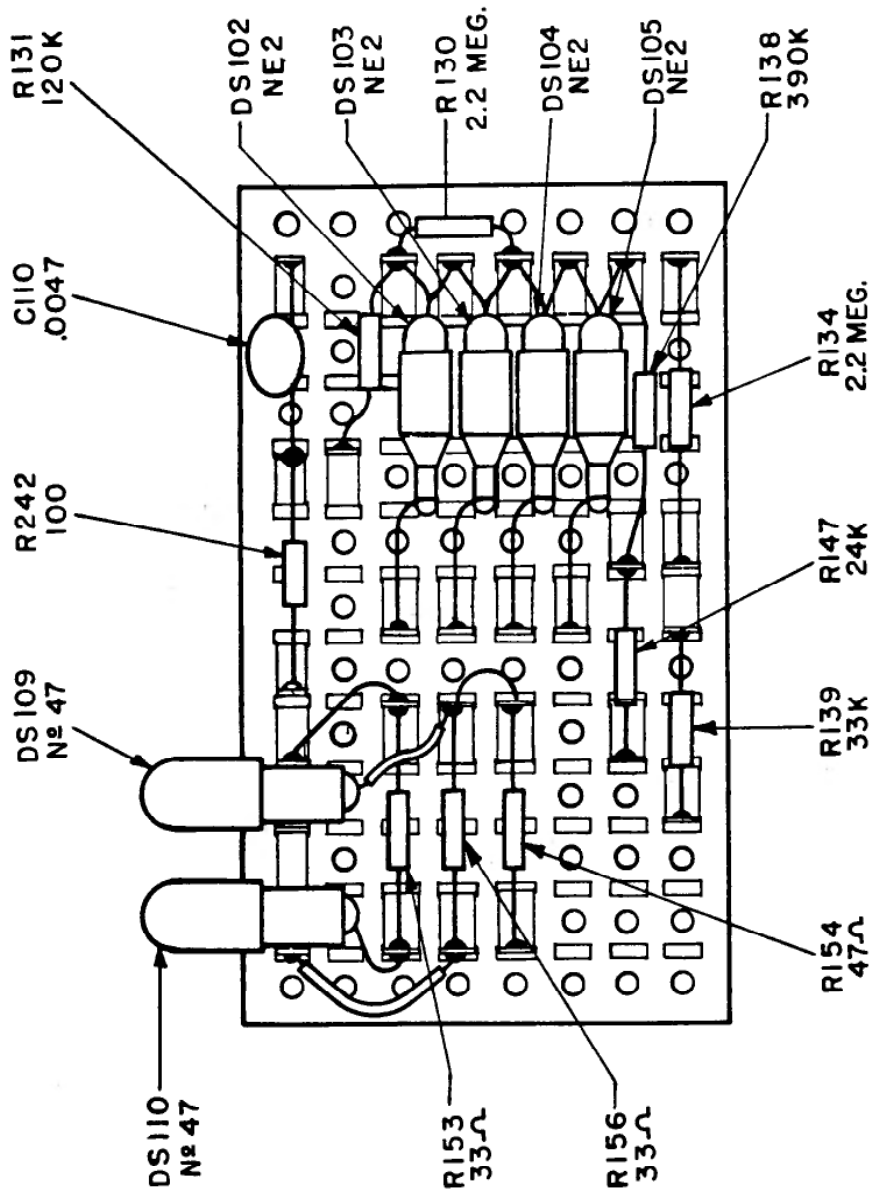


Figure 27 - Auxiliary Function Switch - Inside View

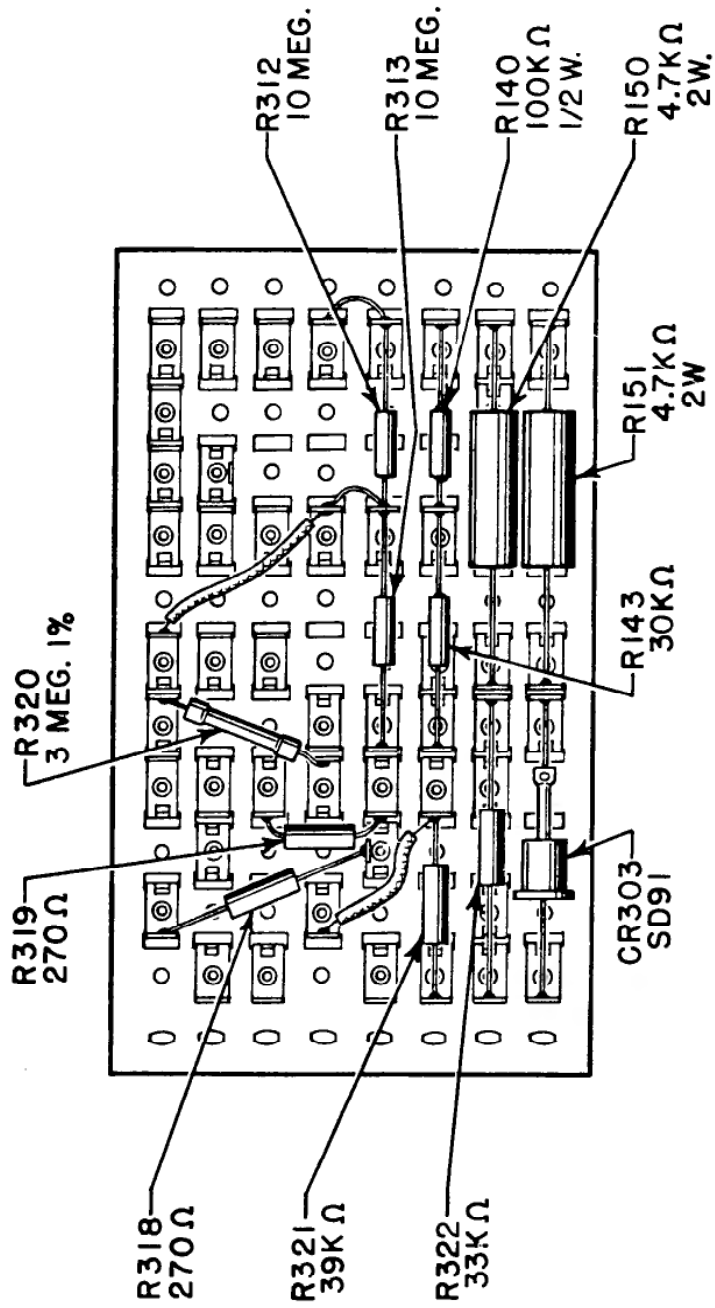


Figure 28 - Auxiliary Function Switch - Outside View

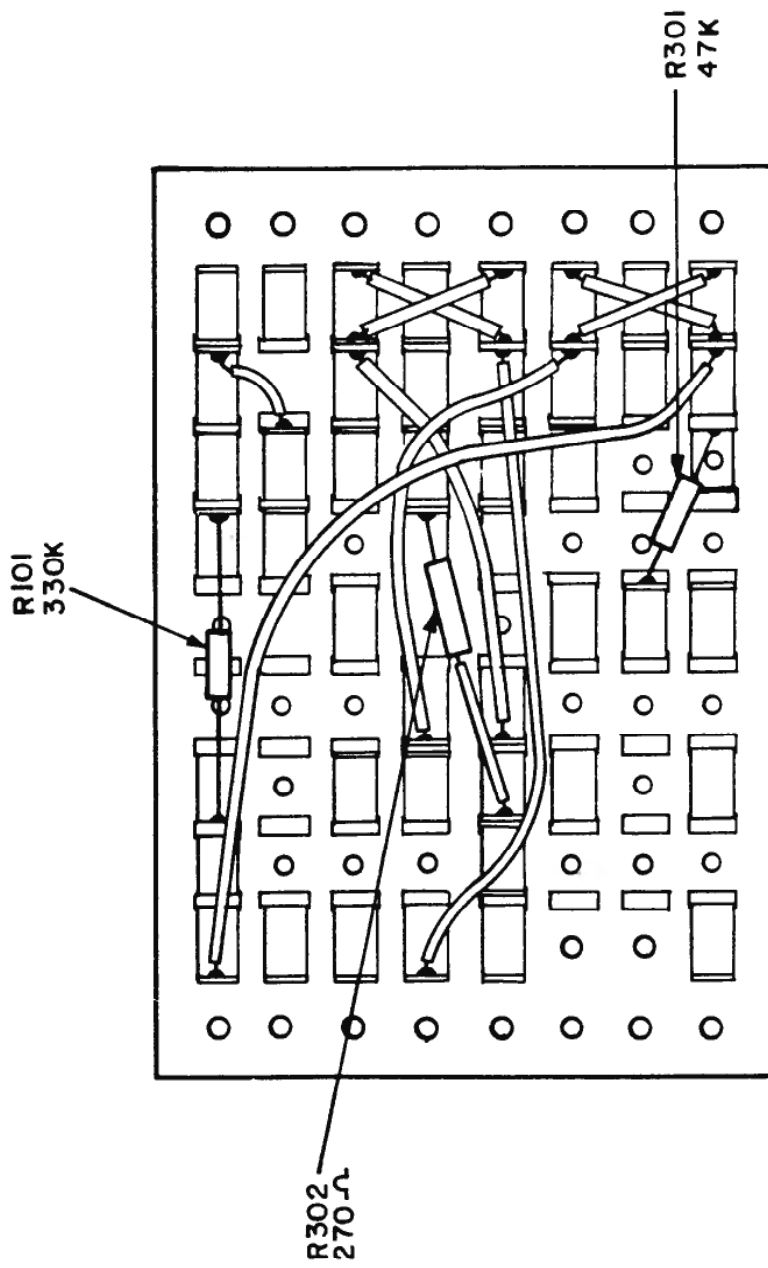


Figure 29 - Main Function Switch

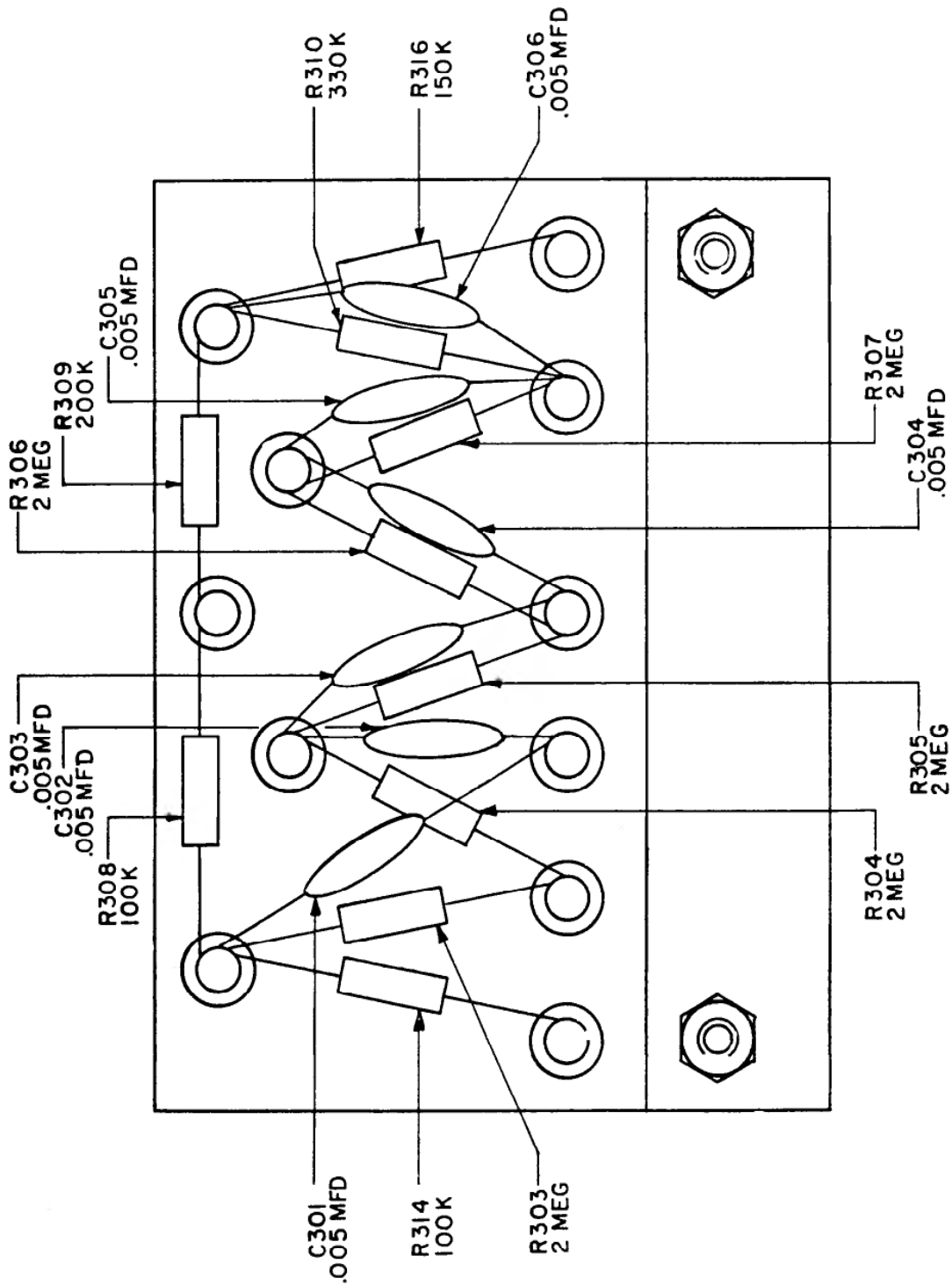


Figure 30 - Short r Assembly

7. PARTS LIST

7.1 Introduction

Reference designations have been assigned to identify all maintenance parts of the equipment. They are used for marking the equipment (adjacent to the part they identify when practical) and are included on drawings, diagrams and the parts list. The letters of a reference designation indicate the kind of part (generic group), such as resistor, capacitor, electron tube, etc. The number differentiates between parts of the same group. Parts associated directly with the complete equipment are numbered from 1 to 99. Parts associated with the power supply circuit are numbered from 100 to 199; parts associated with automatic circuit selection from 200 to 299; parts associated with automatic tube pin selection from 300 to 399; and those associated with the test socket sub assembly from 400 to 499. Sockets associated with a particular plug-in device such as an electron tube, fuse or lamp are identified by a reference designation which includes the reference designation of the plug-in device. For example, the socket for electron tube V101 is designated XV101 and the socket for plug-in capacitor C101 is XC101.

7.2 Maintenance Parts List

Table 7-1 lists all maintenance parts for the equipment. Column 1 lists the reference designations in alpha numeric sequence. Column 2 refers to explanatory notes that may appear in paragraph 7.5 below. Column 3 gives the name and a brief description of all key parts (parts differing from any part previously listed in the table). The name and description are omitted for other parts and the notation "Same as (followed by the reference designation of the corresponding key part)" is substituted.

Column 4 indicates how the part is used and gives its functional location in the equipment. It also includes the pictorial illustration, if any, on which the part is identified.

7.3 Stock Number Identification

Stock numbers of parts used in this equipment can be obtained by referring to the Stock Number Identification Table (SNIT) published by E. S. O.

7.4 List of Manufacturers.

Table 7-2 lists manufacturers of parts used in the equipment. The first column indicates the abbreviations used in Table 7-1 to identify manufacturers.

7.5 Notes

The following provides additional information about items listed in Table 7-1.

- a. Neon Glow Lamps DS302 through DS305, are selected for uniform striking voltage and should be replaced as a set.
- b. Diodes CR401 through CR404 are supplied as a matched set. Do not attempt to replace individual units.
- c. MIL type descriptions may be found in NAVSHIPS 900,000, 104.

REF. DESIG.	NOTES	NAME AND DESCRIPTION	FIG. NO.
A1		SUBASSEMBLY, TEST SOCKETS: plug-in assembly consisting of: P401, W401, X401, X402, X403, X404, X405, X406, X407, and X408 (28569 part no. 16375-538)	2
C101		CAPACITOR: MIL-type CE53C150R	22
C101A		Part of C101	22
C101B		Part of C101	22
C101C		Part of C101	22
C102		CAPACITOR: MIL type CE52C200R	22
C102A		Part of C102	22
C102B		Part of C102	22
C103		CAPACITOR: MIL type CE51C250R	22
C104		CAPACITOR: MIL type CE51C350R	22
C105		CAPACITOR: MIL type CP05A1KF224K3	25
C106		CAPACITOR: MIL type CP05A1KC104K3	25
C107		CAPACITOR: MIL type CP05A1KF104K3	25
C108		CAPACITOR: MIL type CK62AW472M	25
C109		Same as C108	25
C110		Same as C108	27
C111		CAPACITOR: MIL type CE51C102F	23
C112		CAPACITOR: MIL type CE11C151E	26
C113		CAPACITOR: MIL type CS13AE100K	26
C114		CAPACITOR: MIL type CL23CH100TN3	26
C115		Same as C113	26
C116		Same as C106	26
C117		Same as C106	26
C118		Not used	
thru			
C200			
C201		CAPACITOR: MIL type CP70B1EF405K1	23
C202		CAPACITOR: MIL type CE51C801G	23
C203			
Thru		Not used	
C300			
C301		Same as C108	30
C302		Same as C108	30
C303		Same as C108	30
C304		Same as C108	30
C305		Same as C108	30
C306		Same as C108	30
C307			
thru		Not used	
C400			
C401		CAPACITOR: MIL type CK63BX332K	26
C402		CAPACITOR: MIL type CEC102D	26
C403		Same as C401	26
CR101		SEMI-CONDUCTOR DEVICE, DIODE: 1N4249 (Mfg. by Semtech)	25
CR102		Same as CR101	25
CR103		DIODE: MIL type JAN1N538	26
CR104		Same as CR103	26
CR105		Same as CR103	26
CR106		Same as CR103	26
CR107		Same as CR103	26
CR108		Not used	
CR109		DIODE: MIL type 1N483B	26
CR110		DIODE: MIL type JAN1N276	26
CR111		Same as CR110	26
CR112		Same as CR110	26
CR113		Same as CR110	26
CR114		Same as CR109	26
CR115		DIODE: MIL type 1N753	26

Table
7-1

NAVSHIPS 93883

AN/USM-118B
PARTS LIST

REF. DESIG.	NOTES	NAME AND DESCRIPTION	FIG. NO.
CR116 thru CR200		Not used	
CR201		Same as CR103	26
CR202		Same as CR103	26
CR203		Same as CR103	26
CR204		Same as CR103	26
CR205 thru CR300		Not used	
CR301		Same as CR103	23
CR302		Same as CR103	23
CR303		Same as CR103	28
CR304 thru CR400		Not used	
CR401, CR402, CR403, & CR404		DIODE: matched set of four type JAN1N540M diodes. (28569 part no. 3870-123)	26
DS101		LAMP, GLOW: neon gas type, 1/17 watt, 65 v ac, 90 v dc initial striking voltage, 0.5 ma current rating, (06247 part no. NE-2)	2
DS102 thru DS105		Not used	
DS106		LAMP: MIL type MS15571-2	2
DS107		Same as DS106	2
DS108		Same as DS106	2 & 23
DS109		LAMP, INCANDESCENT: 6 to 8 volt, 0.15 amp, MS15571-2 aged. (28569 part no. 12270-57)	27
DS110		Same as DS109	27
DS111 thru DS200		Not used	
DS201		Same as DS101	2
DS202		Same as DS101	2
DS203		Same as DS101	23
DS204 thru DS300		Not used	
DS301	A	LAMP SET, GLOW: neon gas type, 1/25 watt, each lamp selected to be within 2 volt striking voltage of each other. Consists of DS301, DS302, DS303, DS304, and DS305. (28569 part no. 12270-2)	2
DS302		Part of DS301	2
DS303		Part of DS301	2
DS304		Part of DS301	2
DS305		Part of DS301	2
E1		CALIBRATION CELL: Octal tube base w/integrally mtd selected resistors and mercury cell capped w/permanent metal cap, plugs into front panel mtd. octal socket. (28569 part no. 3047-3)	4
EV101		Not used	
EV102		SHIELD, ELECTRON TUBE: Accommodates EIA tube envelope style T-5-1/2, heat dissipating type shield (71785 part no. 150-15-20-137)	Tube shield for V102- Fig. 22
EV103		Not used	
EV104		SHIELD, ELECTRON TUBE: Accommodates EIA tube envelope style T-6-1/2, heat dissipating type shield. (71785 part no. 151-15-30-098)	Tube shield for V104- Fig. 22

REF. DESIG.	NOTES	NAME AND DESCRIPTION	FIG. NO.
EV105		Same as EV104	Tube shield for V105 - Fig. 22
EV106		Same as EV104	Tube shield for V106 - Fig. 22
EV107		Same as EV104	Tube shield for V107 - Fig. 22
EV108		SHIELD, ELECTRON TUBE: accommodates EIA tube envelope style T-5-1/2, heat dissipating type shield. (71785 part no. 150-15-30-138)	Tube shield for V108 - Fig. 22
F101		FUSE: MIL type F02B250V1/8AS	2
F102		FUSE: MIL type F02A250V4AS per MIL-F-15160D	2
F103		Same as F102	2
F104 thru F200		Not used	
F201		FUSE: MIL type F02B250V1AS	2
F202		FUSE: MIL type F02A250V1/4AS	2
J101		CONNECTOR, RECEPTACLE, ELECTRICAL: 24 contacts, low loss plastic dielectric. (91662 part no. RM22450-5) gold over silver pl. contacts	24
J102 thru J300		Not used	
J301		CONNECTOR, RECEPTACLE, ELECTRICAL: 11 contacts, low loss plastic dielectric. (02660 part no. 77M1P11TM)	Plug for replaceable tube socket plate Assy A1-Fig. 2
K101		RELAY, ARMATURE: contact arrangement 2A Ref Dwg Group 4, 5 amp resistive current rating at 115v ac max. (70309 part no. TFHX-23)	23
K102		RELAY, MAGNETIC: reed type relay, contact arrangement 1A - Ref Dwg. Group 4, 200 ma operating sensitivity. (28569 part no. 18400-17)	26
L101		SOLENOID: DC, S101 Activating solenoid (28569 part no. 19360-6)	Part of S101 Fig. 2
M301		METER, ELECTRON TUBE TESTER: (28569 part no. 482-066)	2
MP1		KNOB: push-on type, black phenolic body. (28569 part no. 2920-7)	Knob for S302A Fig. 3
MP2		Same as MP1	Knob for S302B Fig. 3
MP3		Same as MP1	Knob for S302C Fig. 3
MP4		KNOB: push-on type, red phenolic body. (28569 part no. 2920-8)	Knob for S302D Fig. 3
MP5		Same as MP4	Knob for S302E Fig. 3
MP6		KNOB: push-on type, black phenolic body, stamped with numeral 2. (28569 part no. 2920-11)	2
MP7		KNOB: push-on type, black phenolic body, stamped with numeral 3. (28569 part no. 2920-12)	2
MP8		KNOB: push-on type, red phenolic body, stamped with numeral 4. (28569 part no. 2920-15)	2

REF. DESIG.	NOTES	NAME AND DESCRIPTION	FIG. NO.
MP9		KNOB: MIL type MS91528-1C2B	Knob for S106, Fig. 3
MP10		Same as MP9	Knob for R142, Fig. 3
MP11		Same as MP9	Knob for R401 Fig. 3
MP12		Same as MP9	Knob for R405 Fig. 3
MP13		PIN STRAIGHTENER ASSEMBLY, ELECTRON TUBE: Combination 7 pin miniature and 9 pin noval on common mtg. base. (88065 part no. D-279-S)	2
MP14		Not used	
MP15		PUNCH, PAPER, HAND: Steel nickle-plated finish, for 3/16 in dia holes. (Mieth Mfg. Co. part no. 464)	1
N1		CARD, NON TEST: Card-switch shipping card, Mylar material. (28569 part no. 3122-171)	
N2		Not used	
N3		CARD SET, TUBE TEST: Prepunched test card set per MIL-T-23125 (SHIPS) Appendix I. Mylar material (28569 part no. 3122-142)	
N4		CARD SET, BLANK, TUBE TEST: PROGRAMMING: Unpunched test card set per MIL-T-23125 (SHIPS) Mylar material. (28569 part no. 3122-170)	
N5		CARD SET, CALIBRATION AND MAINTENANCE: Pre-punched Mylar card set per MIL-T-23125 (SHIPS). (28569 part no. 3122-172)	
P101		CONNECTOR, PLUG, ELECTRICAL: 24 contacts, 1 connector mating end, low loss plastic dielectric. (91662 part no. RF22451X) gold over silver pl. contacts	23
P102		CONNECTOR: MIL type N-UP121M	1
P103		Not used	
P400			
P401		CONNECTOR, PLUG, ELECTRICAL: Octal type plug, mica filled phenolic body (71785 part no. 13738)	Part of A1 Fig. 2
Q1		TRANSISTOR: MIL type USN2N1711	26
Q2		TRANSISTOR: (04713 part no. 2N2219)	26
R101		RESISTOR: MIL type RC20GF334K	29
R102		RESISTOR: MIL type RC32GF331K	25
R103		RESISTOR: MIL type RC42GF151K	26
R104		RESISTOR: MIL type RL20AD124J	25
R105		RESISTOR: MIL type RC20GF101K	25
R106		Same as R104	25
R107		RESISTOR: MIL type RC20GF105K	25
R108		Same as R105	25
R109		RESISTOR: MIL type RV4LAYS A254A	22 & 24
R110		RESISTOR: MIL type RL20AD104J	25
R111		RESISTOR: MIL type RC20GF102K	25
R112		RESISTOR: MIL type RN70C1003F	26
R113		Same as R105	25
R114		Same as R110	25
R115		RESISTOR: MIL type RC20GF106K	25
R116		Same as R105	25
R117		RESISTOR: MIL type RC20GF474K	25
R118		RESISTOR: MIL type RL20AD184J	Mounted on KF101, Fig. 2
R119		Same as R105	25
R120		RESISTOR: MIL type RN70C3012F	25
R121		RESISTOR: MIL type RC20GF103K	25
R122		RESISTOR: MIL type RL32AD243J	25
R123		RESISTOR: MIL type RV4LAYS A503A	22 & 24

AN/USM-118B
PARTS LIST

Table
7-1

REF. DESIG.	NOTES	NAME AND DESCRIPTION	FIG. NO.
R124		RESISTOR: MIL type RC42GF102K	25
R125		RESISTOR: MIL type RC20GF684K	25
R126		RESISTOR: MIL type RC42GF333K	25
R127		Same as R107	25
R128		Same as R105	25
R129		Same as R105	25
R130		RESISTOR: MIL type RC20GF225K	27
R131		Same as R104	27
R132		Same as R101	25
R133		Same as R104	25
R134		Same as R130	27
R135		RESISTOR: MIL type RV6LAYS255A	3
R136		RESISTOR: MIL type RV6LAYS253A	3
R137		Same as R118	25
R138		RESISTOR: MIL type RL20AD394J	27
R139		RESISTOR: MIL type RL20AD333J	27
R140		Same as R110	28
R141		RESISTOR: MIL type RC20GF470K	25
R142		RESISTOR: MIL type RV4NAYS503A	3
R143		RESISTOR: MIL type RL20AD303J	28
R144		Same as R141	25
R145		RESISTOR: MIL type RW31G512	24
R146		RESISTOR: MIL type RW30G202	24
R147		RESISTOR: MIL type RL20AD243J	27
R148		Same as R123	3
R149		RESISTOR: MIL type RA20LASB103A	3
R150		RESISTOR: MIL type RC42GF472K	28
R151		Same as R150	28
R152		RESISTOR: MIL type RA20LASB500A	3
R153		RESISTOR: MIL type RC20GF330J	27
R154		Same as R141	27
R155		RESISTOR: MIL type RA20LASB501A	3
R156		Same as R153	27
R157		Same as R107	25
R158		RESISTOR: MIL type RL20AD102J	26
R159		RESISTOR: MIL type RC20GF104K	26
R160		RESISTOR: MIL type RC42GF101K	23
R161		RESISTOR: MIL type RC20GF125K	25
R162		RESISTOR: MIL type RC32GF682K	26
R163		RESISTOR: MIL type RL20AD822J	26
R164		RESISTOR: MIL type RV6LAYS503A	22
R165		Same as R158	26
R166		Not used	
R167		RESISTOR: MIL type RC20GF7R5J	26
R168		RESISTOR: MIL type RL20AD101J	26
R169		RESISTOR: MIL type RL20AD103J	26
R170		Same as R158	26
R171		RESISTOR: MIL type RV6LAYS103A	22
R172 thru R200		Not used	
R201		RESISTOR, FIXED, WIRE WOUND: 100 ohms, $\pm 20\%$, 10W, center tapped. (28569 part no. 18575-264)	26
R202		Not used	
R203		RESISTOR: MIL type RL20AD221J	26
R204		RESISTOR: MIL type RL20AD560J	26
R205		RESISTOR: MIL type RC20GF270J	26
R206		RESISTOR, FIXED, FILM: 25, 340 ohms, $\pm 1\%$, 1/2 W, MIL-R-10509D type no. RN70C except for resistance value	26
R207		RESISTOR, FIXED, FILM: 1280 ohms, $\pm 1\%$, 1/2W, MIL-R-10509D type no. RN70B except for resistance value	26

Table
7-1

AN/USM-118B
PARTS LIST

REF. DESIG.	NOTES	NAME AND DESCRIPTION	FIG. NO.
R208		RESISTOR, FIXED, FILM: 640 ohms, $\pm 1\%$, 1/2 W, MIL-R-10509D type no. RN70B except for resistance value	26
R209		RESISTOR, FIXED, FILM: 320 ohms, $\pm 1\%$, 1/2W, MIL-R-10509D type no. RN70B except for resistance value	26
R210		RESISTOR, FIXED, FILM: 160 ohms, $\pm 1\%$, 1/2 W, MIL-R-10509D type no. RN70B except for resistance value	26
R211		RESISTOR, FIXED, FILM: 80 ohms, $\pm 1\%$, 1/2W, MIL-R-10509D type no. RN70B except for resistance value	26
R212		RESISTOR, FIXED, FILM: 40 ohms, $\pm 1\%$, 1/2W, MIL-R-10509D type no. RN70B except for resistance value	26
R213		RESISTOR, FIXED, WIRE WOUND: 20 ohms, $\pm 1\%$, 4W, (28569 part no. 18575-261)	26
R214		RESISTOR, FIXED, WIRE WOUND: 10 ohms, $\pm 1\%$, 4W, (28569 part no. 18575-260)	26
R215		RESISTOR, FIXED, WIRE WOUND: 40 ohms, $\pm 1\%$, 4W, (28569 part no. 18575-263)	26
R216		RESISTOR, FIXED, WIRE WOUND: 30 ohms, $\pm 1\%$, 4W, (28569 part no. 18575-262)	26
R217		Same as R213	26
R218		Same as R214	26
R219		RESISTOR, FIXED, WIRE WOUND: 100 ohms, $\pm 1\%$, 10W, (28569 part no. 18575-265)	26
R220		RESISTOR, FIXED, WIRE WOUND: 200 ohms, $\pm 1\%$, 10W, (28569 part no. 18575-266)	26
R221		RESISTOR, FIXED, WIRE WOUND: 300 ohms, $\pm 1\%$, 20W, (28569 part no. 18575-267)	26
R222		RESISTOR, FIXED, WIRE WOUND: 400 ohms, $\pm 1\%$, 35W, (28569 part no. 18575-268)	26
R223		RESISTOR, FIXED, WIRE WOUND: 4000 ohms, $\pm 1\%$, 10W, (28569 part no. 18575-271)	26
R224		RESISTOR, FIXED, WIRE WOUND: 3000 ohms, $\pm 1\%$, 35W, (28569 part no. 18575-270)	26
R225		RESISTOR, FIXED, WIRE WOUND: 2000 ohms, $\pm 1\%$, 50W, (28569 part no. 18575-269)	26
R226		RESISTOR, FIXED, WIRE WOUND: 1000 ohms, $\pm 1\%$, 35W, (28569 part no. 18575-259)	26
R227		RESISTOR: MIL type RL42AD203J	26
R228		Same as R227	26
R229		RESISTOR: MIL type RL42AD303J	26
R230		RESISTOR: MIL type RN75B1003F	26
R231		Same as R227	26
R232		Same as R159	23
R233		RESISTOR: MIL type RC20GF154K	Mounted on XF202. Fig. 2
R234		RESISTOR, FIXED, FILM: 52,000 ohms, $\pm 1\%$, 1/2W, MIL-R-10509D type no. RN70B except for resistance value	26
R235		Same as R234	26
R236		Same as R234	26
R237		RESISTOR: MIL type RN70B6192F	26
R238		RESISTOR: MIL type RN70B1002F	26
R239		RESISTOR: MIL type RN70B2002F	26
R240		Same as R239	26
R241		RESISTOR: MIL type RN70B1071F	26
R242		Same as R105	27
R243			
thru		Not used	
R300			
R301		RESISTOR: MIL type RC20GF473K	29
R302		RESISTOR: MIL type RL20AD271J	29
R303		RESISTOR: MIL type RC20GF205J	30
R304		Same as R303	30

REF. DESIG.	NOTES	NAME AND DESCRIPTION	FIG. NO.
R305		Same as R303	30
R306		Same as R303	30
R307		Same as R303	30
R308		Same as R110	30
R309		RESISTOR: MIL type RL20AD204J	30
R310		Same as R125	30
R311		RESISTOR: MIL type RA20LASB101A	3
R312		Same as R115	28
R313		Same as R115	28
R314		Same as R110	30
R315		Same as R164	3
R316		RESISTOR: MIL type RL20AD154J	30
R317		Same as R117	26
R318		Same as R302	28
R319		Same as R302	28
R320		RESISTOR, FIXED, FILM: 3 megohm, $\pm 1\%$, 1W, MIL-R-10509D type no. RN75B except for resistance value	28
R321		RESISTOR: MIL type RL20AD393J	28
R322		Same as R139	28
R323		Same as R136	3
R324		RESISTOR: MIL type RC20GF224J	30
R325			
thru		Not used	
R400			
R401		RESISTOR: MIL type RA20NASD3R0A	3
R402		Same as R169	26
R403		Same as R169	26
R404		Same as R169	26
R405		RESISTOR: MIL type RV4NAYS252A	3
R406		Same as R169	26
RT101		RESISTOR, THERMAL: 5000 ohms, $\pm 20\%$ @ 37.8°C, (10646 part no. A0610P1)	26
RT102		LAMP, INCANDESCENT: 120V, 100W, (06247 part no. 100A/RS)	23
S101		SWITCH ASSEMBLY, CARD: (28569 part no. 906-043)	2
S102		SWITCH: push button type (upper). Electro Snap Co. Series E4-109	18
S103		SWITCH: push button type (lower) Micro V3-19	
S104		Not used	
S105		SWITCH: MIL type MS25068-27	2
S106		SWITCH, ROTARY: single section type. (28569 part no. 19912-441)	3
S107			
thru		Not used	
S300			
S301		SWITCH, PUSH: four section ganged type, three plunger type actuators. (28569 part no. 19910-152)	23
S302		SWITCH, PUSH: five section ganged type, five plunger type actuators. (28569 part no. 19910-153)	3 & 23
T101		TRANSFORMER, POWER, STEP-DOWN AND STEP-UP: 115V, 50 to 400 cps single phase primary, secondary windings: 550V center tapped w/taps at 25V and 525V. 200ma overall current rating, 10V at 300 ma, 10V at 150ma, 6V center tapped at 1.2 amp, 6V center tapped at 3 amp, 5V center tapped at 3 amp. (28569 part no. 20800-312)	23
T102		TRANSFORMER, POWER, STEP-DOWN: 125V, 50 to 400 cps single phase primary, secondary windings: 110V tapped at 10V, 20V, 30V, 40V, 50V, 60V, 70V, 80V, 90V, and 100V. 9V tapped at 1V, 2V, 3V, 4V, 5V, 6V, 7V, and 8V. 0.9V tapped at 0.1V, 0.2V, 0.3V, 0.4V, 0.5V, 0.6V, 0.7V, and 0.8V (28569 part no. 20800-247)	23
V101		ELECTRON TUBE: MIL type USN5U4GB	22
V102		ELECTRON TUBE: MIL type JAN6C4WA	22
V103		ELECTRON TUBE: (82219 part no. 6CD6GA)	22

Table
7-1

AN/USM-118B
PARTS LIST

REF. DESIG.	NOTES	NAME AND DESCRIPTION	FIG. NO.
V104		ELECTRON TUBE: MIL type JAN6CL6	22
V105		ELECTRON TUBE: (82219 part no. 6AW8A)	22
V106		ELECTRON TUBE: MIL type JAN6203	22
V107		ELECTRON TUBE: (86684 part no. 6AU8)	22
V108		ELECTRON TUBE: MIL type JAN0A2WA	22
V109		LAMP, GLOW: neon NE-76, 68 to 76v dc initial breakdown voltage, 50 to 60v dc initial maintaining voltage @ 0.4ma dc current rating	27
V110		Same as V109	27
V111		Same as V109	27
V112		Same as V109	27
W101		CABLE ASSEMBLY, POWER, ELECTRICAL: (28569 part no. 3030-182)	Part of A1- Fig. 2
W102		CABLE: MIL type CO-03MGE(3/18)-0336	1
W103		Not used	
W400		LEAD, ELECTRICAL: single stranded no. 18 tinned copper conductor, cotton wrap - black rubber insulation, one end terminated w/grid cap clip, black phenolic clip insulation. (02660 part no. 63-1W)	2
W401		LEAD, ELECTRICAL: single stranded no. 18 tinned copper conductor, cotton wrap - black rubber insulation, one end terminated w/grid cap clip, black phenolic clip insulation. (02660 part no. 63-1W)	2
X301		SOCKET ASSEMBLY, ELECTRON TUBE: one 7 pin in-line sub-miniature socket and one 8 pin sub-miniature socket on common mtg plate, silver plated copper base alloy contacts. (28569 part no. 19351-26)	2
X302		SOCKET, ELECTRON TUBE: silver plated copper base alloy contacts, 9 pin. (71785 part no. 24222)	2
X303		Not used	
X400		SOCKET, ELECTRON TUBE: 4 contacts, molded plastic	Part of A1 Fig. 2
X401		SOCKET, ELECTRON TUBE: 5 contacts, molded plastic body. (02660 part no. 78S5TM-051)	Part of A1 Fig. 2
X402		SOCKET, ELECTRON TUBE: 6 contacts, molded plastic body. (02660 part no. 78S6TM-051)	Part of A1 Fig. 2
X403		SOCKET, ELECTRON TUBE: 7 contacts, molded plastic body. (02660 part no. 78S7CDTM-051)	Part of A1 Fig. 2
X404		SOCKET, ELECTRON TUBE: 8 contacts, "loktal" molded plastic body. (02660 part no. 78S8LTM-051)	Part of A1 Fig. 2
X405		SOCKET, ELECTRON TUBE: 8 contacts, "octal", molded plastic body. (02660 part no. 78S8TM-051)	Part of A1 Fig. 2
X406		SOCKET: MIL type TS102P03	Part of A1 Fig. 2
X407		SOCKET: MIL type TS103P03	Part of A1 Fig. 2
X408		SOCKET: MIL type TS101P02	Part of A1 Fig. 2
XC101		Same as XC101	24
XC102		Same as XC101	24
XC103		Same as XC101	24
XC104		Same as XC101	24
XC105		Not used	
XC110		Same as XC101	Socket for C111. Fig. 23
XC111		Not used	
XC112		Same as XC101	Socket for C202. Fig. 23
XC201		Not used	
XC202		Same as XC101	Socket for C202. Fig. 23

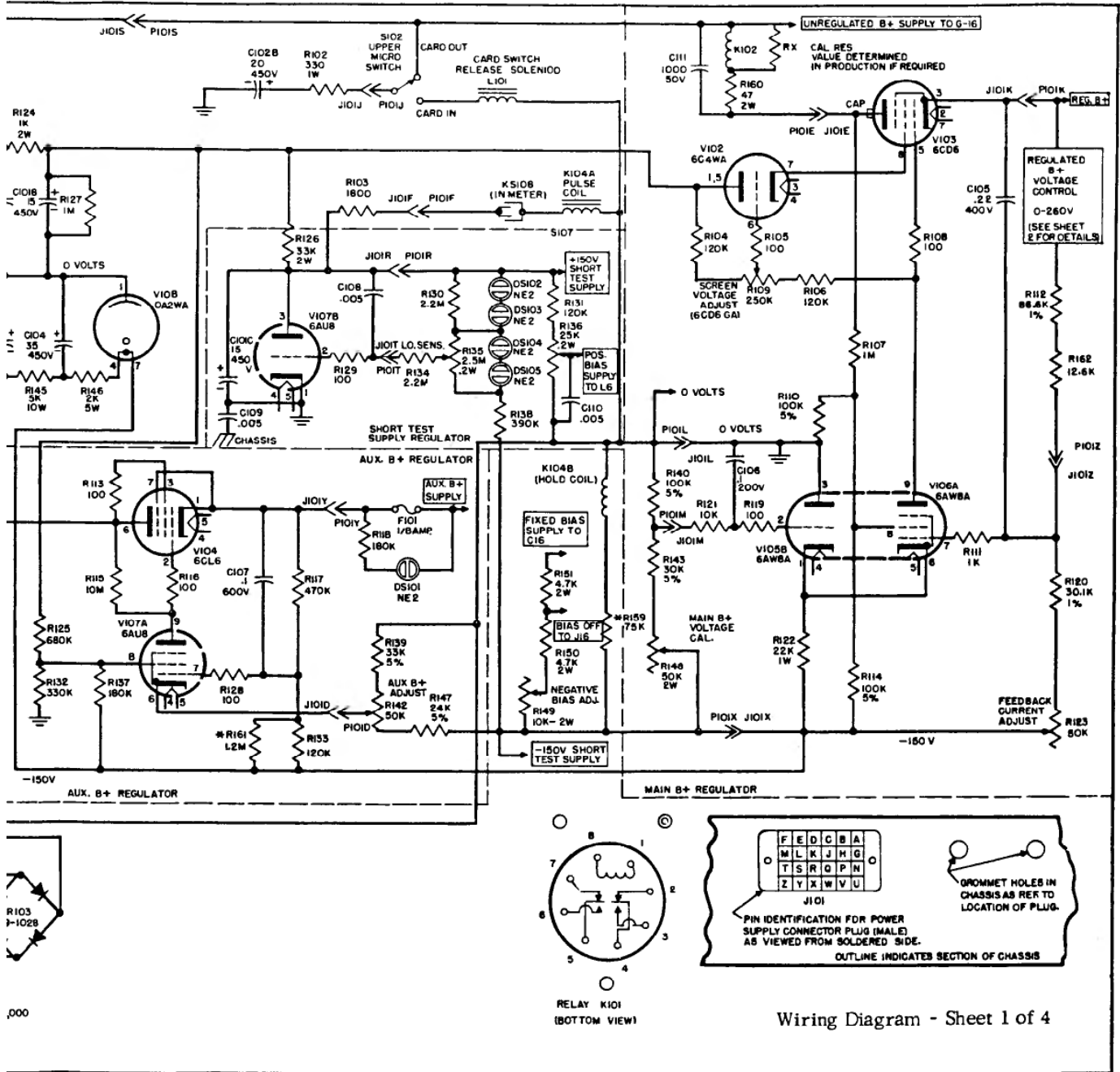
AN/USM-118B
PARTS LIST

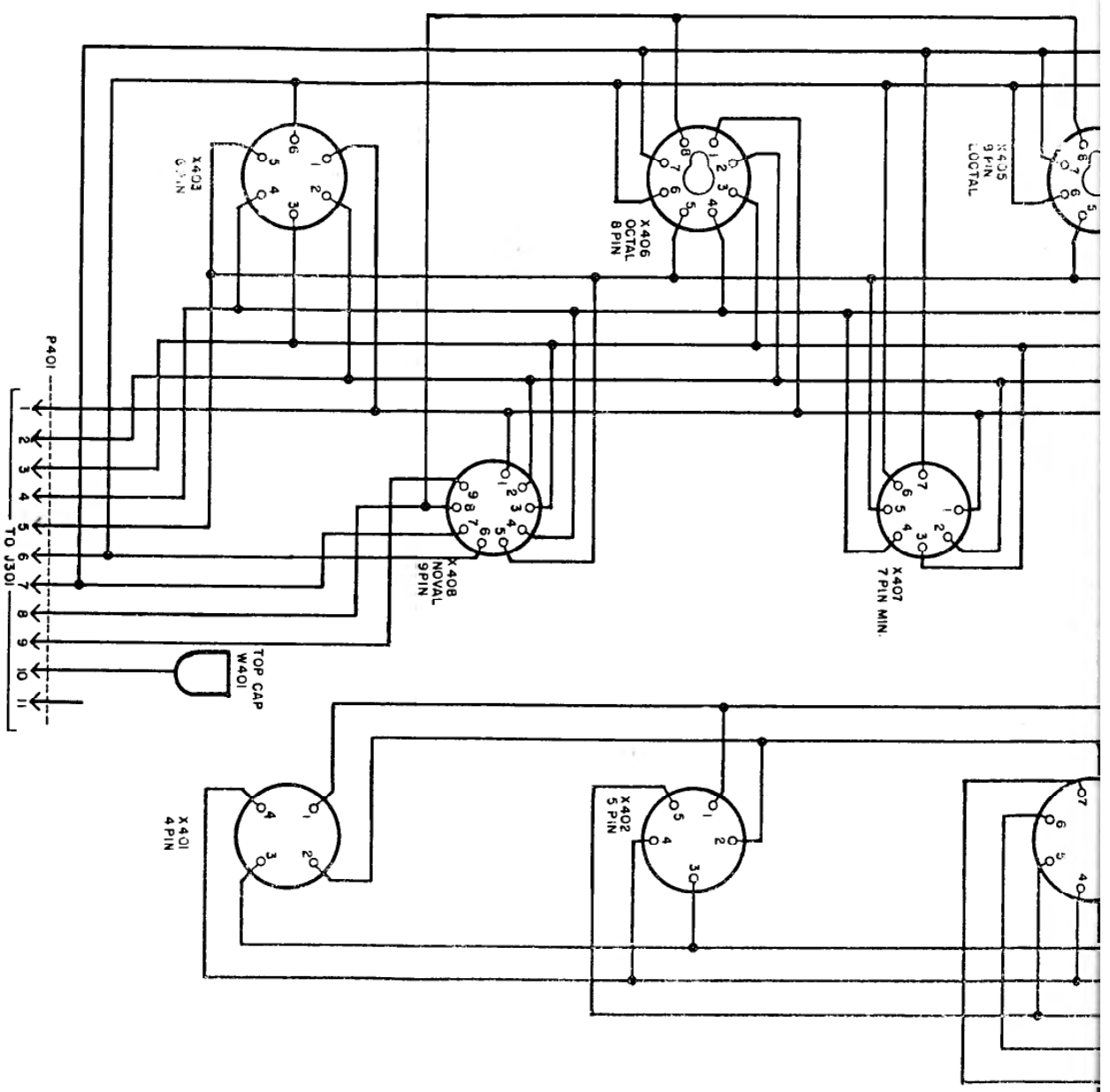
Table
7-1

REF. DESIG.	NOTES	NAME AND DESCRIPTION	FIG. NO.
XDS101 thru XDS105 XDS106		Not used	
XDS107		LIGHT: MIL type LH75LC14RD	Lens for DS106. Fig. 2
XDS108		LIGHT: MIL type LH75LC14GD	Lens for DS107. Fig. 2
XF101		Same as XDS106	Lens for DS108. Fig. 2
XF102		FUSEHOLDER: MIL type FD-1	Fuseholder for F101 Fig. 2
XF103		Same as XF101	Fuseholder for F102 Fig. 2
XF104 thru XF200 XF201		Same as XF101	Fuseholder for F103 Fig. 2
XF202		Not used	
XRT102		Same as XF101	Fuseholder for F201 Fig. 2
XV101		LAMPHOLDER: 600V - 6 amp. (28569 part no. 19351-27)	Fuseholder for F202 Fig. 2
XV102		Same as XC101	
XV103		Same as X407	24
XV104		Same as XC101	24
XV105		Same as X408	24
XV106		Same as X408	24
XV107		Same as X408	24
XV108		Same as X407	24

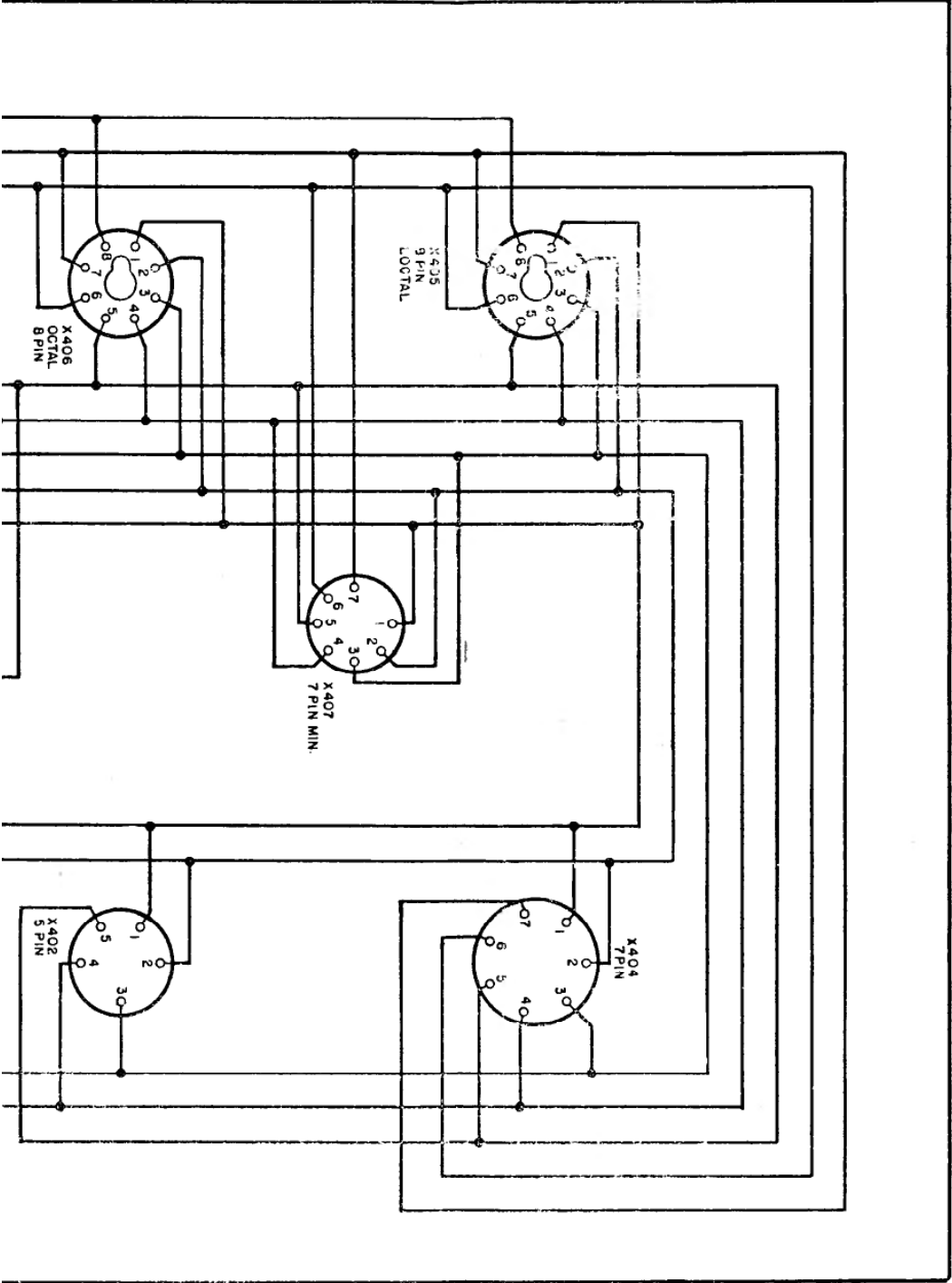
Table 7-2. List of Manufacturers

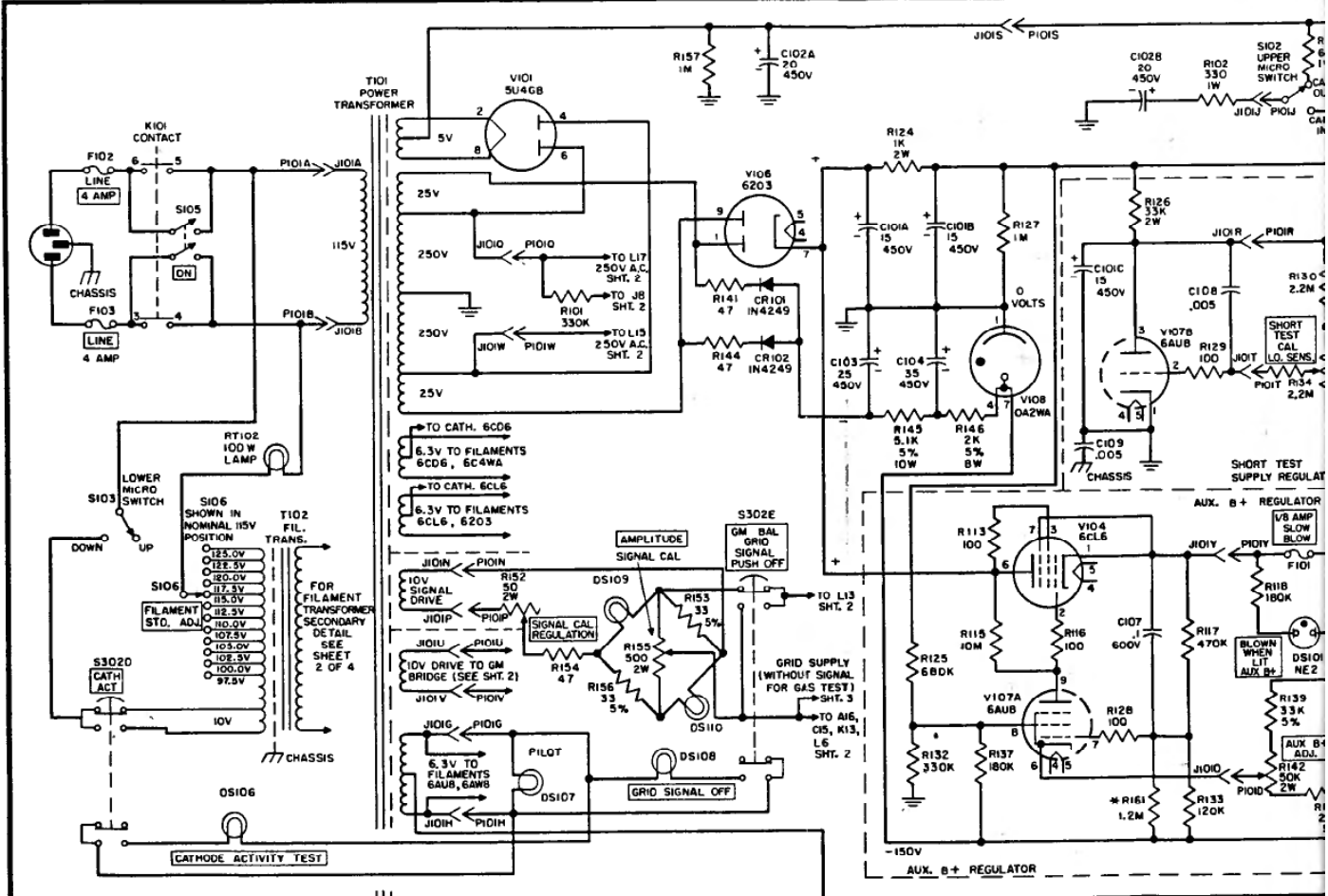
MFR. CODE	NAME	ADDRESS
02660	Amphenol-Borg Electronics Corp.	Chicago, Illinois
04713	Motorola, Inc. , Semi-Conductor Products Div.	Phoenix, Arizona
06228	Texas Instruments, Inc.	Dallas, Texas
06247	General Electric Co. , Lamp Div. of Consumer Products Group	Cleveland, Ohio
10646	Carborundum Co.	Niagara Falls, New York
28569	The Hickok Electrical Instrument Co.	Cleveland, Ohio
70309	Allied Controls Co. , Inc.	New York, New York
71785	Cinch Mfg. Corp.	Chicago, Illinois
82219	Sylvania Electric Products, Inc. Tube Division	Emporium, Pennsylvania
86684	Radio Corp. of America, Electron Tube Division	Harrison, New Jersey
88065	Duro Specialty Co. , Inc.	West Lynn, Massachusetts
91662	Elco Corp.	Philadelphia, Pennsylvania
Mieth	Mieth, M. C. Mfg. Co.	Port Orange, Florida
Semtech	Semtech Corp.	Newbury Park, California



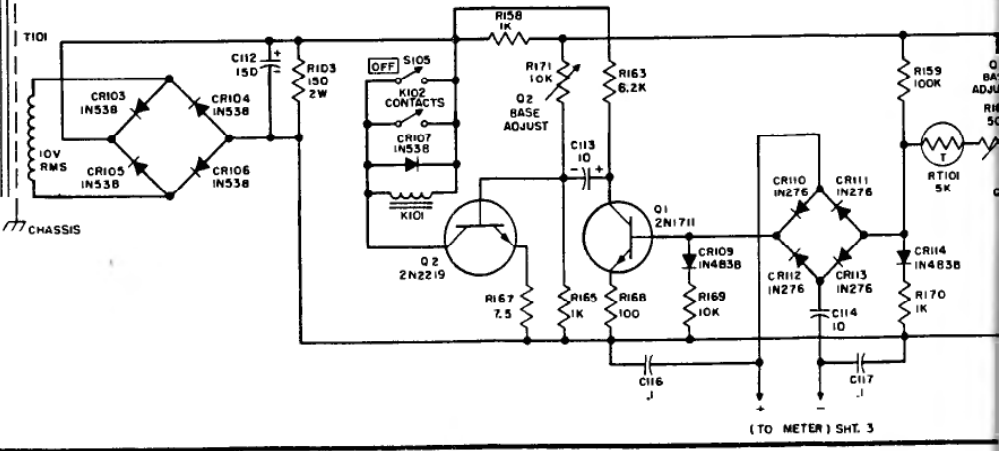


Wiring Diagram - Sheet 4 of 4

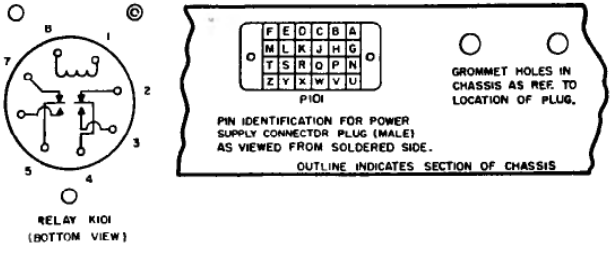
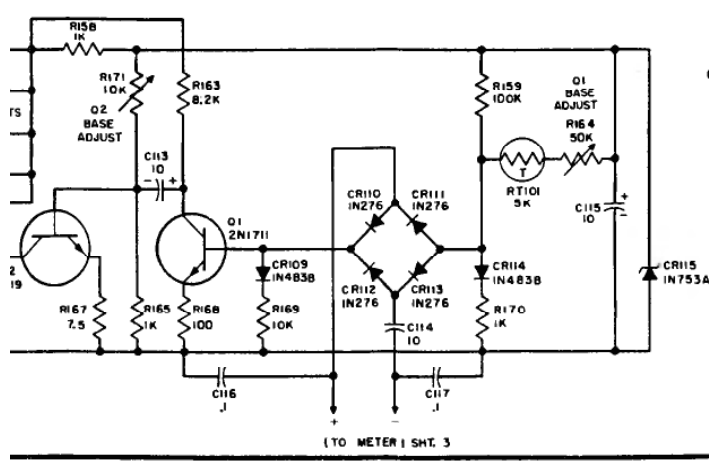
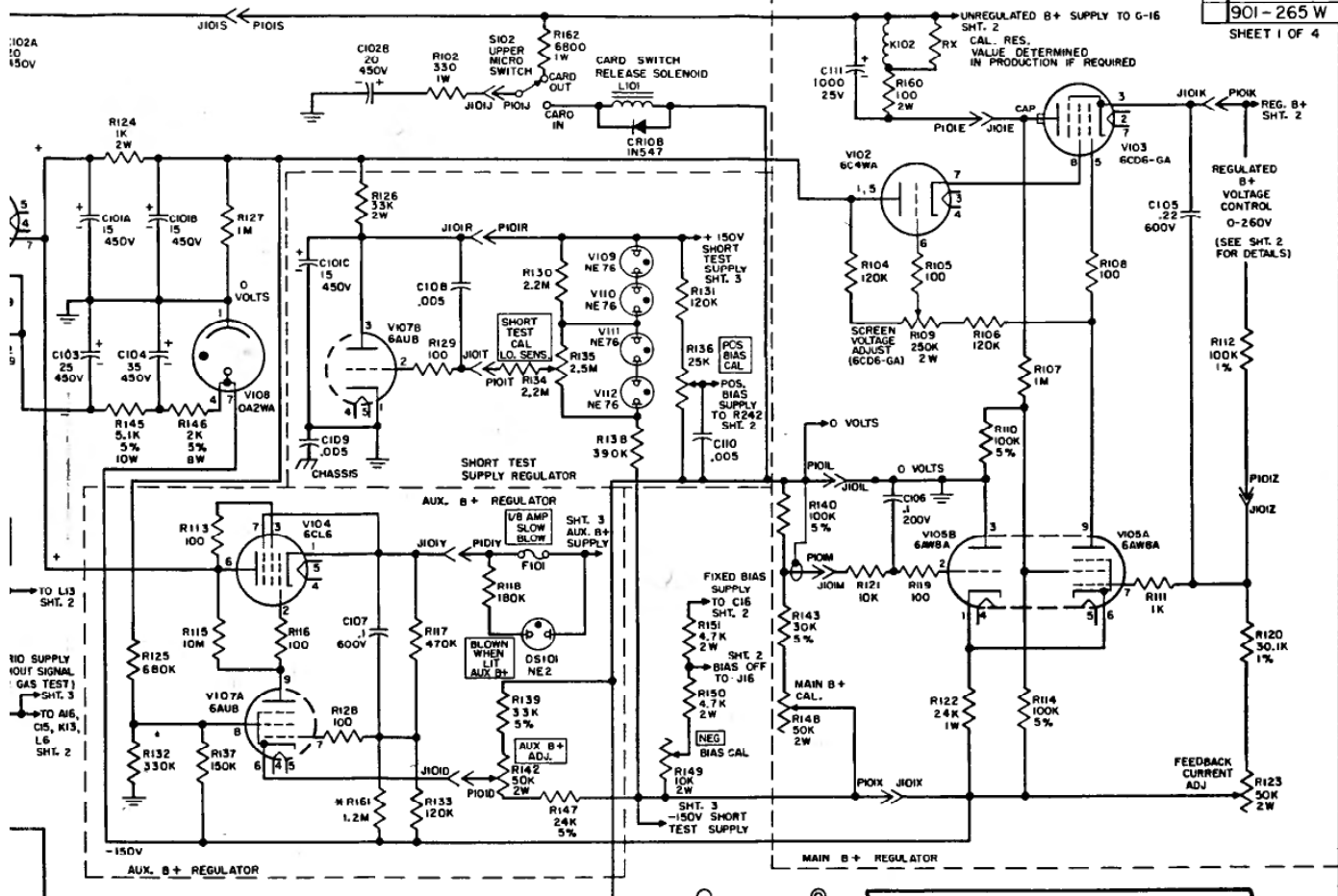




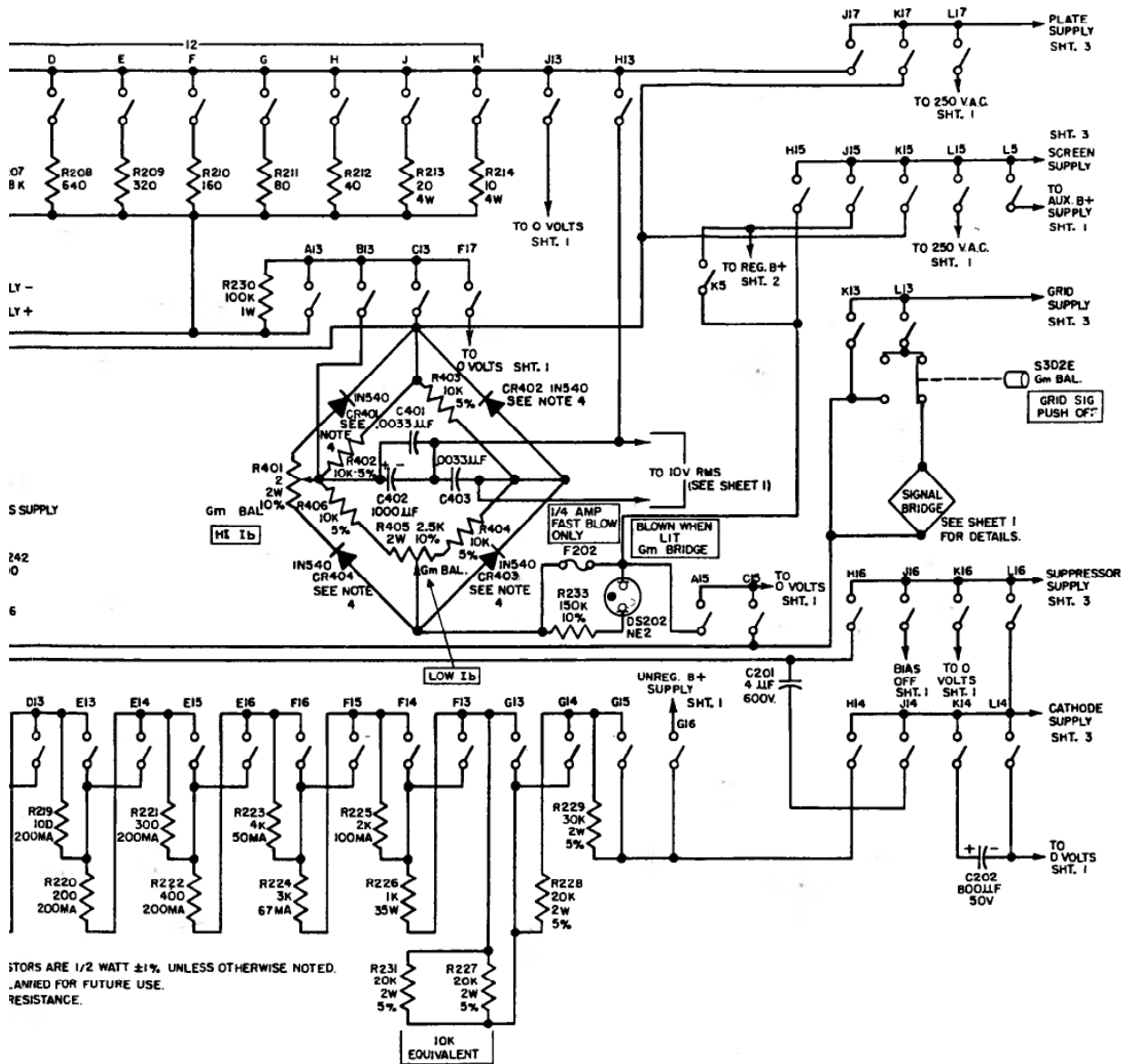
- NOTES:
1. ZERO VOLTS COMMON ON POWER SUPPLY - \perp
 2. UNLESS OTHERWISE SPECIFIED RESISTORS ARE $\pm 10\%$, 1/2 WATT AND SHOWN IN OHMS.
 3. CAPACITANCES ARE IN MICROFARADS.
 4. TRANSFORMER VOLTAGES ARE GIVEN IN R.M.S. VALUES.
 5. * CALIBRATION RESISTORS: NOMINAL VALUE, EXACT VALUE DETERMINED IN MANUFACTURE.



NO.	ALTERATION	BY	APPROV. DATE



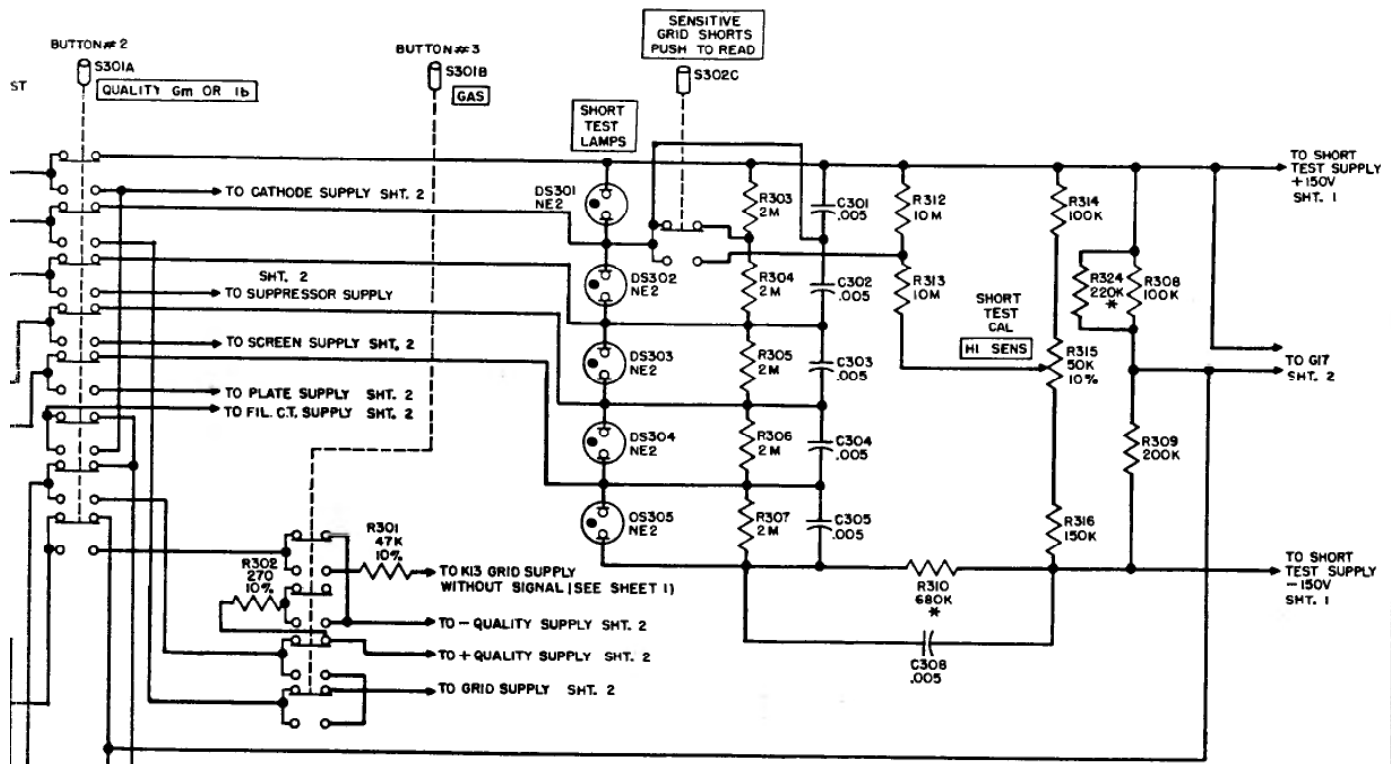
SCHEMATIC WIRING DIAGRAM			
TUBE TESTER	AN/USM-118 B	APP'D	DATE
DRAWN & TRACED	CHECKED	JDF	2-7-64
W. H. TAYLOR	R.H.T.		
THE HICKOK ELECTRICAL INSTRUMENT CO. CLEVELAND, OHIO			



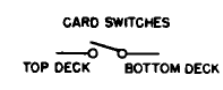
RESISTORS ARE 1/2 WATT ±1% UNLESS OTHERWISE NOTED.
 UNRESERVED FOR FUTURE USE.
 RESISTANCE.

SCHEMATIC WIRING DIAGRAM			
TUBE TESTER AN/USM-118B			
DRAWN & TRACED	CHECKED	APP'D	DATE
W. H. TAYLOR	RHT	JDF	2-11-64
DRAWING NUMBER		THE HICKOK ELECTRICAL INSTRUMENT CO	
901-265 W		CLEVELAND, OHIO	

SHEET 2 OF 4
 DRAWING NUMBER
901-265 W

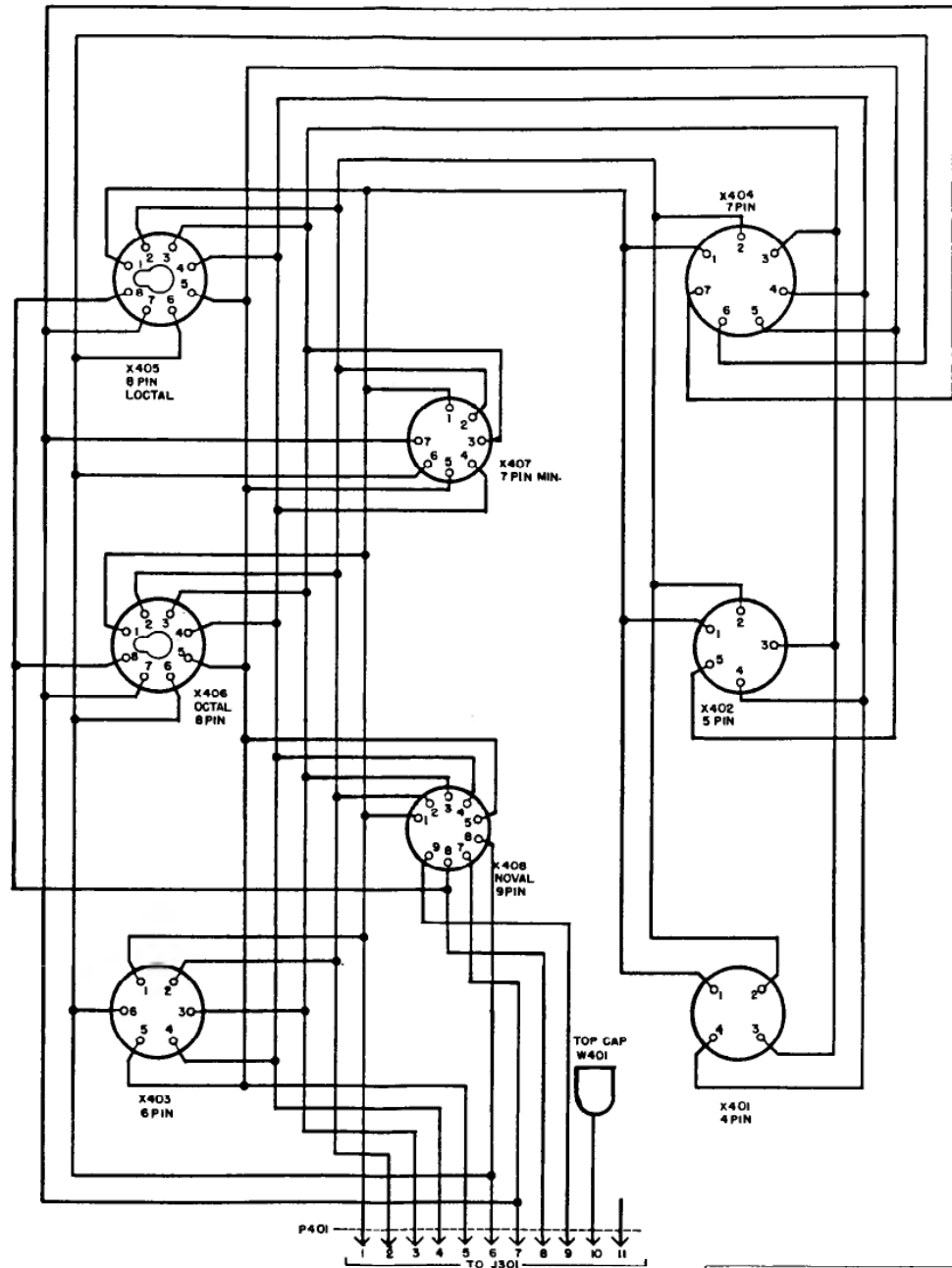


- NOTES:
1. ∇ CONNECTION, ∇ NO CONNECTION.
 2. RESISTANCES ARE SHOWN IN OHMS. K = 1000 OHMS, MEGOHMS (M) = 1,000,000 OHMS. ALL RESISTORS ARE 1/2 WATT $\pm 5\%$, UNLESS OTHERWISE NOTED.
 3. CAPACITANCES ARE SHOWN IN MICROFARADS, UNLESS OTHERWISE NOTED.
 4. PUSHBUTTON SWITCHES NO. S301A, B, C AND S302A, B, C ARE SHOWN IN UP POSITION.
 5. SWITCH NO. S301A OPERATES WHEN PUSHBUTTON NO. 2 IS DEPRESSED.
 6. BOTH S301A AND S301B OPERATE WHEN PUSHBUTTON NO. 3 IS DEPRESSED.
 7. * CALIBRATION RESISTORS: NOMINAL VALUE, EXACT VALUE DETERMINED IN MANUFACTURE. (R324 TRIMS R308 FOR 100 VOLT DROP.)



SCHEMATIC WIRING DIAGRAM-			
TUBE TESTER AN/USM-118B			
DRAWN & TRACED	CHECKED	APP'D	DATE
W. H. TAYLOR	RHT	JDF	2-12-64
THE HICKOK ELECTRICAL INSTRUMENT CO. CLEVELAND, OHIO			

SHEET 3 OF 4
DRAWING NUMBER
901-265 W



NO.	ALTERATION	BY	APPROPRIATE

SHEET 4 OF 4
DRAWING NUMBER
901-265 W

SCHEMATIC WIRING DIAG. AN/USM-118B			
REPLACEABLE TUBE SOCKET PLATE			
DRAWN & TRACED	CHECKED	APP'D	DATE
W. H. TAYLOR	AHT	JDF	2-11-64
THE HICKOK ELECTRICAL INSTRUMENT CO. CLEVELAND, OHIO			